

# EasyStand<sup>ii</sup> Evolv<sup>®</sup>

medium, large and xt

Please ensure the Owner's Manual stays with the unit at all times.



Owner's Manual

## SYMBOL LEGEND



**CAUTION/ATTENTION**



**ENVIRONMENTAL  
CONDITIONS**



**TYPE BF APPLIED PART**



**DATE OF MANUFACTURE**



**PINCHPOINT**



**SEE INSTRUCTIONS FOR USE**

**SN**

**SERIAL NUMBER**



**MANUFACTURER**



Please be environmentally responsible and recycle this product through your recycling facility at its end of life.

**R<sub>x</sub>only**

Afin de préserver l'environnement, veuillez confier ce produit à votre centre de recyclage à la fin de sa durée de vie.

Nachdem dieses Produkt ausgedient hat, entsorgen Sie es bitte auf umweltfreundliche Weise, indem Sie es zu der entsprechenden Recyclingstelle bringen.

Wees a.u.b. milieubewust en recycleer dit product via uw recycleerder na het verstrijken van de levensduur.

Sea responsable con respecto al medio ambiente y recicle este producto al finalizar su vida útil en el lugar de reciclaje correspondiente.

Siate responsabili verso l'ambiente e riciclate questo prodotto, al termine della sua vita d'uso, presso la vostra sede di riciclaggio.

Kierrätä tämä tuote sen käyttöiän lopussa ympäristövastuullisella tavalla paikallisella kierrätyslaitoksella.

Var miljömedveten och återvinn denna produkt efter dess användning.

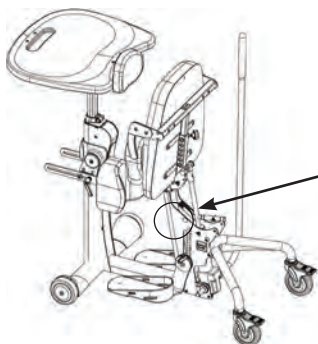
Vi ber deg ta hensyn til miljøet og resyklere dette produktet ved hjelp av de rette resyklingsfasilitetene når produktet ikke lenger kan brukes.

Vis venligst hensyn til miljøet ved at levere produktet til det nærmeste genbrugsanlæg, når det ikke længere fungerer.

Por favor, assumo responsabilidade ambiental, reciclando este produto em suas instalações de reciclagem no final de sua vida útil.

# Table of Contents

Introduction . . . . .	1
Safety Precautions . . . . .	2
EasyStand Evolv Assembly . . . . .	3
Swing-Away Front . . . . .	7
Shadow Tray . . . . .	9
Mobile . . . . .	11
Pow'r Up Lift Option . . . . .	13
Option Assembly . . . . .	18
Adjusting the Evolv . . . . .	27
Shadow Tray Adjustments . . . . .	30
Evolv Options & Parts Detail . . . . .	31
Perfect Fit Guide . . . . .	35
Transferring . . . . .	36
Standing . . . . .	37
Maintenance . . . . .	38
Troubleshooting . . . . .	39
Limited Warranty . . . . .	40



Note: The serial number is located under the seat on the seat column.

Date Purchased \_\_\_\_\_ Serial # \_\_\_\_\_

Videos on assembly & fitting can be viewed at [www.easystand.com/videos](http://www.easystand.com/videos)

# Introduction

Congratulations on the purchase of an EasyStand standing frame! We at Altimate Medical have designed the EasyStand with comfort and happiness in mind.

## EasyStand Description

The EasyStand line of products is intended for individuals who are able to transfer independently or with assistance from a caregiver and/or lifting device. It is a useful tool for rehabilitation, home, school, and work use. EasyStand standing frames support the user from sitting to the standing position. Various options such as support, choice of manual or Pow'r Up Lift may be added to facilitate individual needs.

## Intended Use

The EasyStand Evolv line of products is intended to assist individuals who have difficulty rising from a seated position to a standing position.


## Indications for Use

The Evolv Medium is indicated for most individuals weighing up to 200 lbs. and within the height range of 4'0-5'6". The Evolv Large is indicated for most individuals weighing up to 280 lbs. and within the height range of 5'0-6'2". The Evolv XT is indicated for most individuals weighing up to 350 lbs. and within the height range of 6'0-6'10".

**This manual is an integral part of the standing system and should be read completely and thoroughly by anyone operating the unit.** This will ensure the EasyStand is assembled properly and used in the most beneficial manner.

**Altimate Medical recommends that an attendant be present when the EasyStand is being used.** Should any problem arise that cannot be solved by reading this manual, please contact a local supplier or call Altimate Medical, Inc., at 800-342-8968 or 507-697-6393.

It is necessary to inspect the EasyStand Evolv at least weekly to ensure it is in safe operating condition. EasyStand adjustments that are listed in the product owner's manual can be made by the operator by following the instructions for use. After an adjustment is made, inspect the EasyStand to ensure all hardware and adjustable components are properly secured per the instructions for use. Replacement of worn parts, major adjustments, or any other important corrections should be handled by an authorized supplier or service center. Only Altimate Medical, Inc., approved replacement parts should be used to ensure safety and performance.

**The EasyStand Evolv shall be prescribed by a qualified physician or occupational/physical therapist. Do not use the EasyStand Evolv without consulting your physician and receiving protocol for a standing program. Failure to consult a qualified physician prior to using the EasyStand Evolv could lead to medical problems. The EasyStand Evolv must be used with a qualified adult attendant present. Should any problems arise that you cannot solve by reading this manual, please contact your local supplier or call Altimate Medical, Inc., at 800-342-8968 or 507-697-6393.  only**

## Join the Standing Community!

Our goal is simple - to empower people with disabilities to stand up for their health. Connect, share, and learn from other people with disabilities, special needs parents, clinical professionals, and the experts in standing on one of our social networking communities.

Read, share, and comment on the EasyStand Blog at [blog.easystand.com](http://blog.easystand.com)

Find EasyStand on these social networking sites:



# Safety Precautions

- If a user does not meet these specifications and has not been properly fitted by a qualified therapist or physician, Altimate Medical, Inc., does not recommend using the EasyStand.


**Evolv Medium** - is designed to accommodate most individuals from 4'0"-5'6" (122-168 cm) and up to 200 lbs. (90 kg)


**Evolv Large** - is designed to accommodate most individuals from 5'0"-6'2" (152-188 cm) and up to 280 lbs. (127 kg)


**Evolv XT** - is designed to accommodate most individuals from 6'0"-6'10" (183-209 cm) and up to 350 lbs. (159 kg)


*For more detailed specifications visit our website [easystand.com](http://easystand.com)*


- Altimate Medical, Inc., recommends consulting with a therapist or physician prior to starting a standing program.
- Check the EasyStand periodically to ensure that all nuts, bolts and adjustable parts are tightened securely.
- Never make adjustments to the EasyStand while a user is in the standing position.
- Never reposition the foot plates while a user is in the standing position. Consult with a therapist or physician for proper foot placement and angle.
- It is necessary to inspect the EasyStand Evolv at least weekly to ensure it is in safe operating condition. Pay particular attention for loose hardware. If the EasyStand is equipped with the optional Pow'r up lift please inspect the electrical cables for any wear and to ensure they are attached properly. Replacement of worn parts, major adjustments, or any other important corrections should be handled by an authorized dealer or service center. Only Altimate Medical, Inc., approved replacement parts should be used to ensure safety and performance.
- If the EasyStand is being used in the home environment, please inspect the unit prior to each use to ensure there is no damage or unexpected wear to the EasyStand that may have been caused unintentionally by pets, pests or children.
- Ensure the necessary support and alignment options are in position prior to bringing the user into the standing position.
- If the unit was exposed to temperatures of less than 50°F (10°C), the unit must warm to room temperature before use.
- **Operating Conditions:** Temperature: 41°F (5°C) -95°F (35°C), Relative humidity: 20% - 90% at 86°F (30°C), Atmospheric Pressure: 700 to 1060hPa.
- **Storage/Transport Conditions:** Temperature: 14°F (-10°C) -122°F (50°C), Relative humidity: 20% - 90% at 86°F (30°C), Atmospheric Pressure: 700 to 1060hPa.
- The EasyStand can be used at a maximum altitude of 3,050 meters (10,000 feet).
- The expected service life of an EasyStand is considered 5 years under normal use conditions. Note: This may vary based upon use.
- If you must transport the EasyStand in a vehicle, secure the unit so it does not move around. After transport inspect the EasyStand to ensure hardware is properly tightened and all options are secured.
- Use body weight to lower the seat. Do not use excessive force.
- The EasyStand is for indoor use on level surfaces only.
- Violently thrusting in the EasyStand may cause it to tip.
- Always put the rear casters and/or wheels in the locked position before transferring into the EasyStand. Use these locks to keep the EasyStand stationary.
- The EasyStand Evolv meets EN12182:1999 (test standard) for strength, durability and tipping stability.
- Please contact Altimate Medical, Inc., for relevant clinical data and literature, strength, durability and test results as applicable.
- The EasyStand Evolv Electric Lift meets the requirements of IEC 60601-1 and 60601-1-2. (*Pow'r Up Lift Option Only*)
- Altimate Medical products are specifically designed to be used with Altimate Medical accessories and options. Unless otherwise noted, accessories and options from other manufacturers have not been tested by Altimate Medical and are not recommended for use with Altimate Medical products.
- Product Modifications made without express written consent (including, but not limited to, modification through the use of unauthorized parts or attachments) are not recommended and will void the product warranty.
- The wheel lock on the mobile option is to keep the unit in place while transferring or standing stationary and it is **not** intended to be used as a dynamic brake to stop a rolling mobile unit.

 **Caution:** The EasyStand is constructed of materials that do not support combustion under normal conditions. For the safety of the patient and attending personnel, do not allow clutter or debris to be stored or accumulate on or around the equipment.

 **Caution:** This equipment is designed to accommodate a range of users; therefore the unit has various adjustment slots and holes. Avoid placing fingers or other body parts in any of these areas.

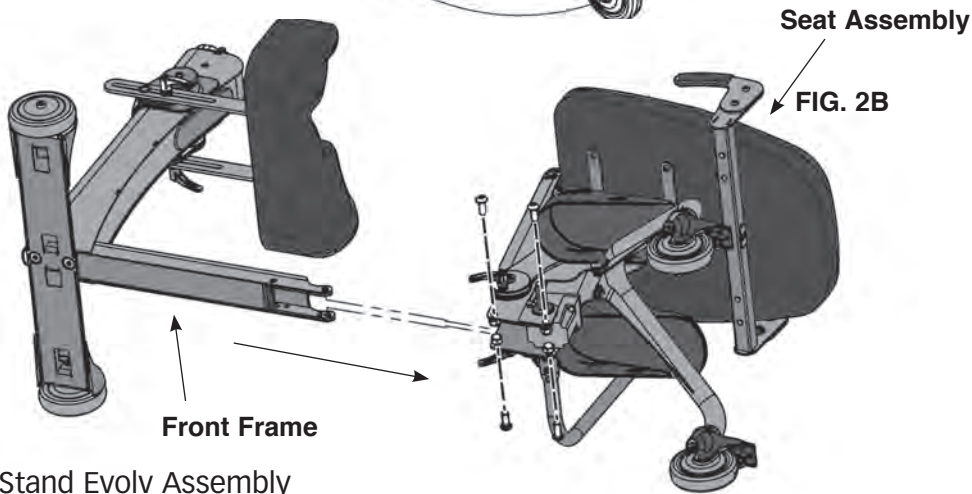
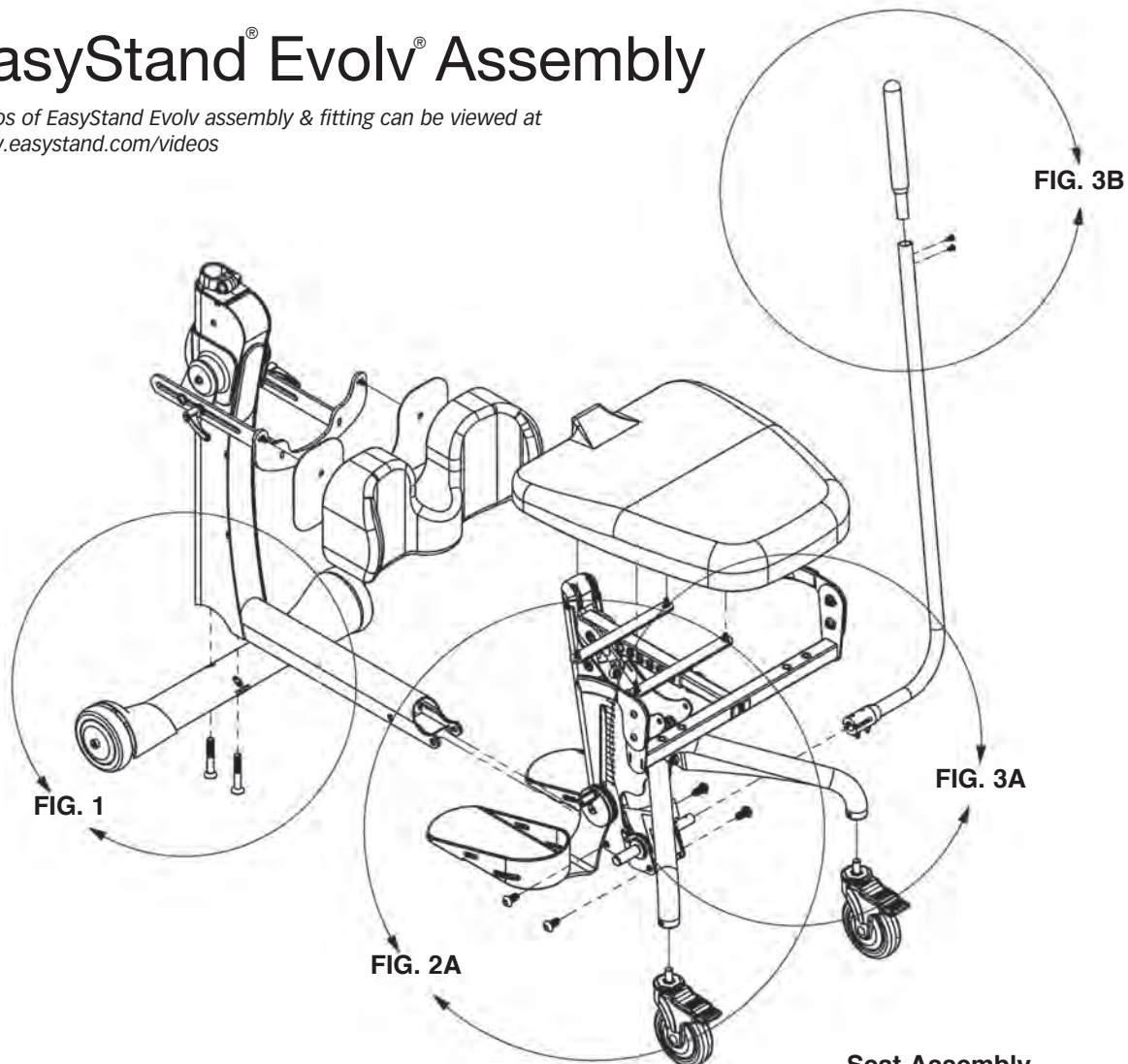
 **Caution:** While in use this equipment has various moving parts, familiarize yourself with the unit and avoid placing hands or fingers near any of these areas.

 **Caution:** Do not use the EasyStand Evolv Mobile option on an incline, it is intended for level surfaces only. Doing so may cause the unit to tip.

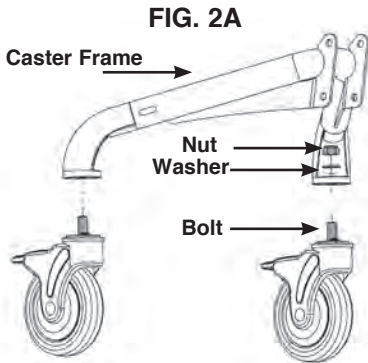
 **Caution:** Advise bystanders to keep clear of the unit while in use.

# EasyStand® Evolv® Assembly

Videos of EasyStand Evolv assembly & fitting can be viewed at [www.easystand.com/videos](http://www.easystand.com/videos)



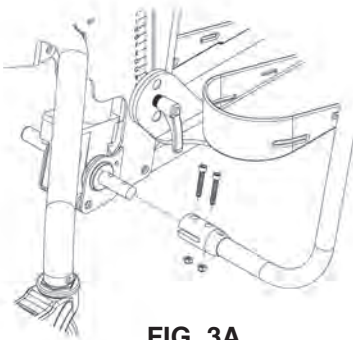
For Mobile assembly refer to p. 11



**If the Evolv XT was ordered, the unit will be fully assembled except for the tray and back option. Refer to p. 18 for the back option assembly, p. 23 for the tray assembly and p. 9 for the Shadow Tray. For any other option assembly, please refer to pp. 18-26.**

**FIG. 1-** Attach the standard front caster frame to the front frame with bolts and tighten securely.

**FIG. 2A-** Remove nut and washer from the bolt on the caster. Insert caster into rear caster frame as shown. Place washer onto bolt. Place nut onto bolt and tighten securely. Repeat steps for other caster. Ensure the casters are flush with the rear base frame. The casters are supplied with a locking compound pre-applied to the threaded stem. Do not remove this material, it is important to prevent the casters from loosening over time.



**FIG. 2B-** Place the front frame and the seat assembly on it's side, slide the front frame into the opening of the seat assembly as shown. Line up holes and insert all four bolts first, then place nuts onto bolts and tighten securely with hex wrench and 19mm open-ended wrench. Place unit upright on its wheels.

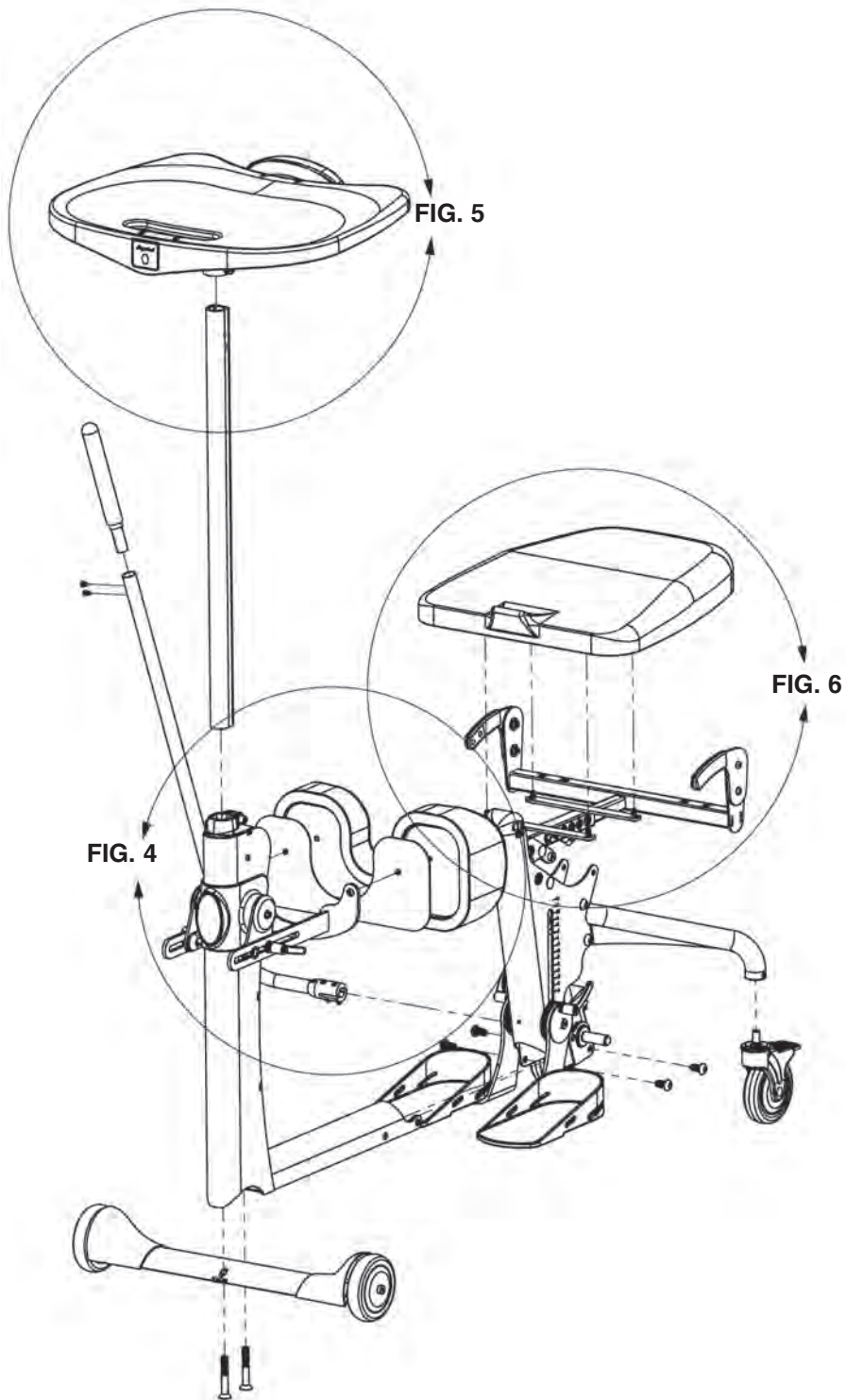
If the Swing-Away Front option was ordered, slide the front frame into the opening of the seat assembly as shown on p. 7. To help with installation, place folded cardboard or a block of wood underneath the frame for support. Start the four bolts by going in a criss-cross pattern (ex: Start back left bolt then front right bolt followed by back right and front left bolts). Start all four bolts first, then tighten securely.

For more Swing-Away Front assembly, refer to p. 7.

Lift seat up and flip foot plates down. Then insert ratchet handles (located in bag with owner's manual, E3 model will have ratchet handle already attached) into foot plates. Tighten securely.

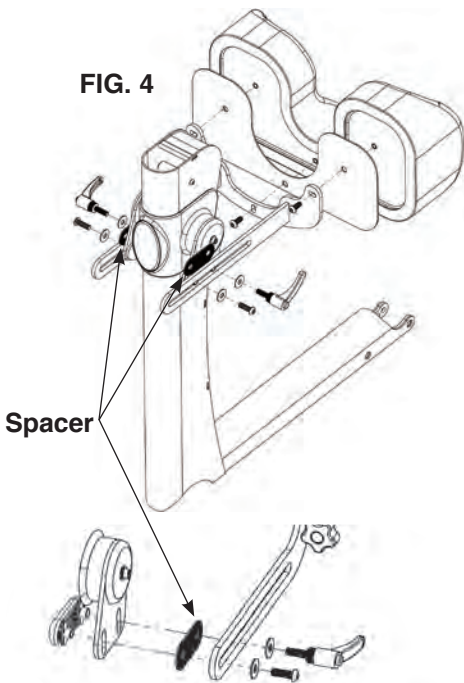
**FIG. 3A-** Attach the pump handle to the pump on the seat assembly with bolts and nuts, tighten securely.

**FIG. 3B-** Insert top of handle into pump handle and tighten bolts securely.





**FIG. 4**



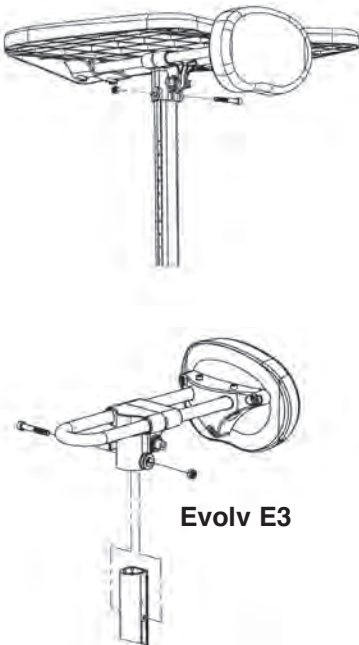
*If the Swing-Away Front was ordered, please refer to pp. 7-8.  
If the Independent Kneepads were ordered refer to p. 25.*

**FIG. 4-** Remove ratchet handle and hardware from the knee bracket. Place the bracket and hardware onto the column in the order shown. Ensure the spacer is placed between the two steel brackets. Place the washer and bracket bolt into the bracket assembly and tighten snug, ensuring the knee bracket moves freely. Do NOT overtighten bolt. Place the washer and ratchet handle into the bracket assembly. Tighten ratchet handle once desired position is reached.

Remove the three bolts from the kneepad making sure the plastic insert stays in place. Place the kneepad onto the bracket and insert top two bolts before inserting the middle bolt. Tighten securely. If the independent kneepads were ordered, place pads into knee bracket, the narrow end of the slotted washer for the knee pads will be inserted into the bracket, make sure the larger end of the pad is on the outside of the unit (see drawing on p. 25).

*If the Shadow Tray was ordered, please refer to pp. 9-10.*

**FIG. 5**



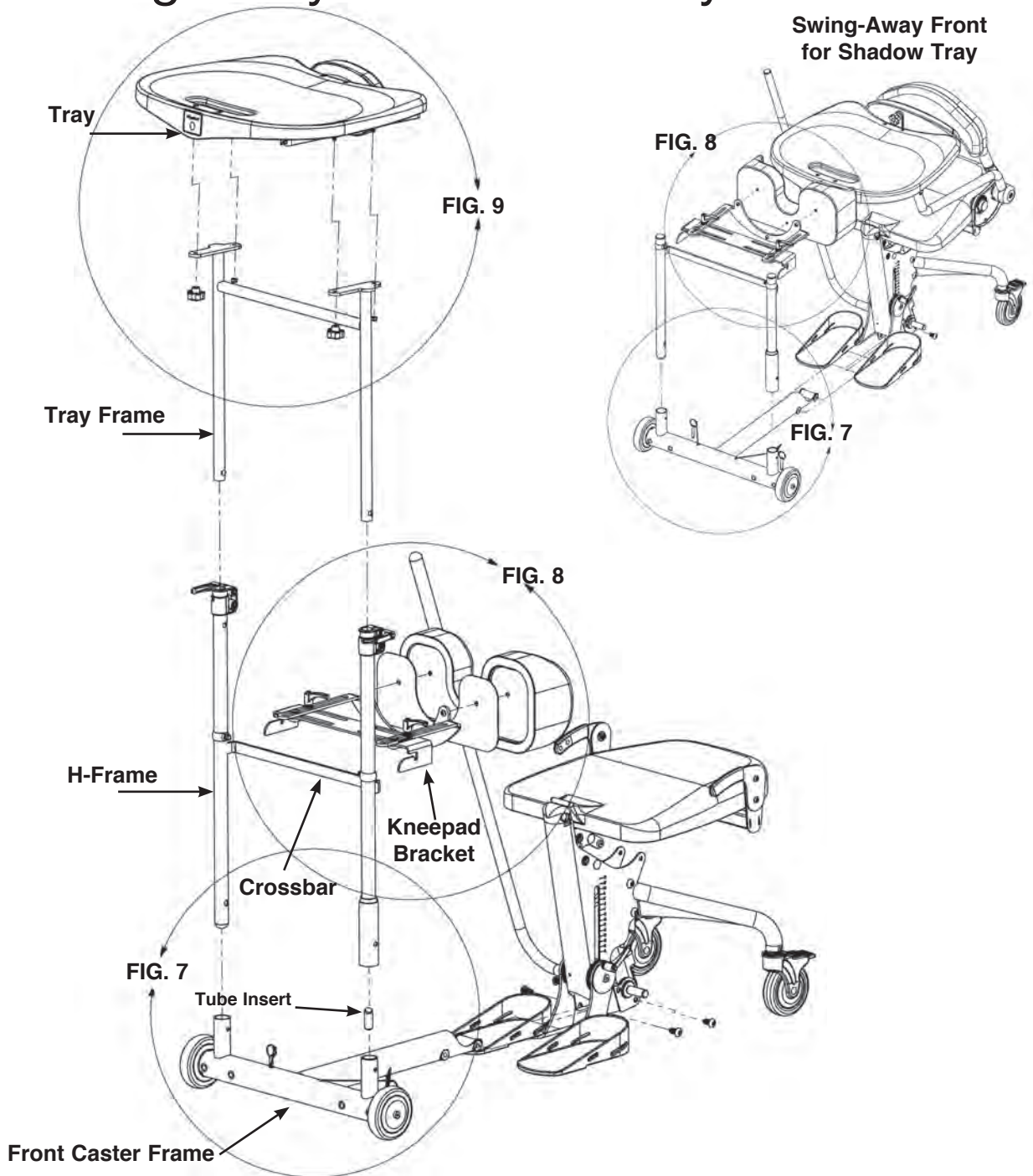
**FIG. 4/5-** Insert the tray post into the front column with the holes in the post facing upward. The tray clamp on the front frame may need to be adjusted to fit the tray post into the frame. Place tray onto the tray post, insert nut into slot and bolt into hole, tighten securely.

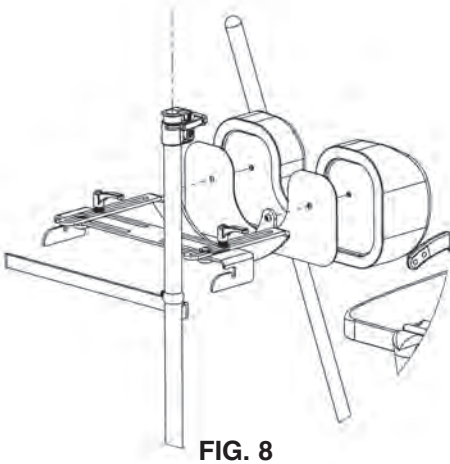
*If any additional options were ordered, please refer to the drawings on pp. 18-26.*

**FIG. 6-** Install the seat onto the seat assembly after all other options are added. For easier installation, pump the seat halfway up. Start all four bolts first, then tighten securely.

**For Evolv adjustments, see pp. 27-30.**

# Swing-Away Front Assembly





**FIG. 7-** Insert the H-frame into the front caster frame. Insert pins into the holes provided (crossbar should face seat). Make sure the tube insert is in place as shown.

*If the Front Swivel Casters were ordered refer to p. 24.  
If the Independent Kneepads were ordered refer to p. 25.*

**FIG. 8-** Place the kneepad bracket onto the H-frame. Remove the three bolts from the kneepad making sure the plastic insert stays in place. Place the kneepad onto the bracket and insert the top two bolts before inserting the middle bolt. Tighten securely.

**To use the Swing-Away Front:**

To swing away the front for transferring, remove pull pins from the bottom of the H-frame. Lift collar and swing away. After positioning client in stander, swing front back into front caster frame and replace pins, making sure the collar is secure.

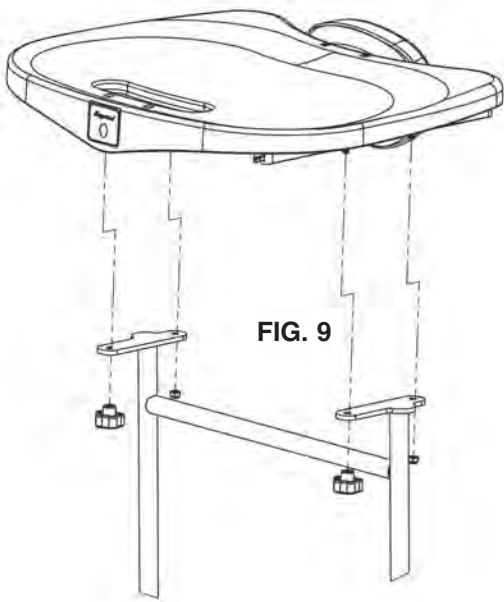
**⚠ Caution:** Collar and pins must be securely in place before the user transitions into the standing position.

**For Evolv adjustments, see p. 27.**

*If the Shadow Tray was ordered, skip to p. 9.*

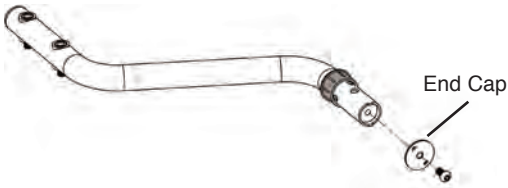
**FIG. 9-** Insert the tray frame into the H-frame, tighten knobs securely. Place the tray onto the tray frame, install knobs. Tighten nuts securely.

Note: Tray will not move if nuts are overtightened.

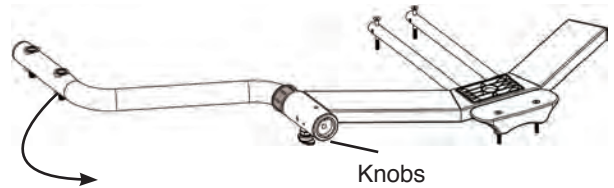


# Shadow<sup>®</sup> Tray Assembly

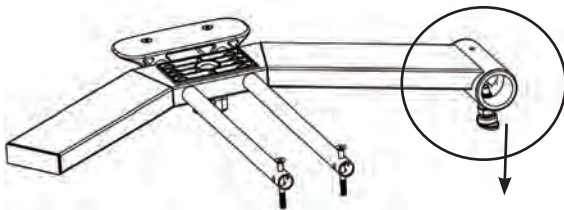
## Shadow Tray Bracket Set-up



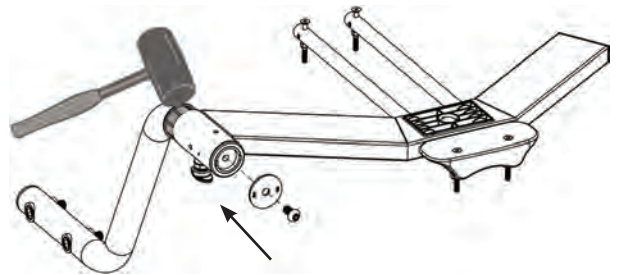
**FIG. 10-** On the support arm, remove the plastic bag with two mounting bolts and a silver pin. Using a hex wrench, remove the end cap from the Shadow Tray arm.



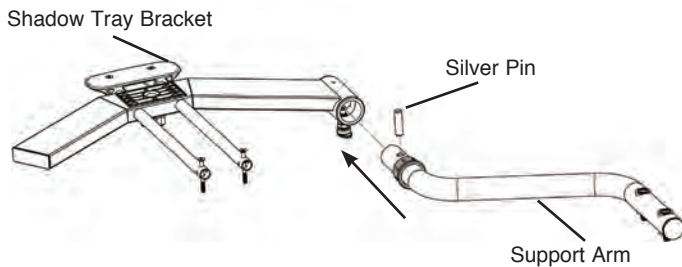
**FIG. 13-** The knobs on the end of the support arm should be exposed. Rotate the arm down to 90°. Lock the plunger into place.



**FIG. 11-** Release the plunger by pulling it down, twist to keep it released.

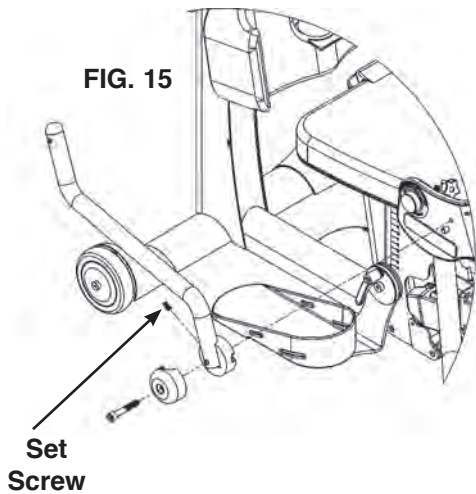


**FIG. 14-** Use a rubber mallet to tap the black cap into the Shadow Tray bracket. Replace the end cap and tighten securely.



**FIG. 12-** Insert the silver pin into the support arm as shown, while supporting the silver pin, place the support arm into the Shadow Tray bracket until it clicks into place.

**These assembly instructions are shown for the right side mounted Shadow Tray, for the left side mounted Shadow Tray, installation will be on the opposite side.**



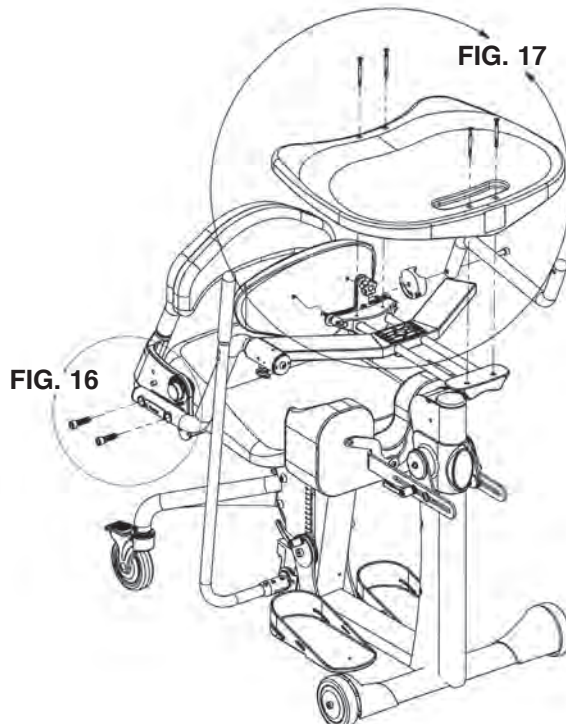
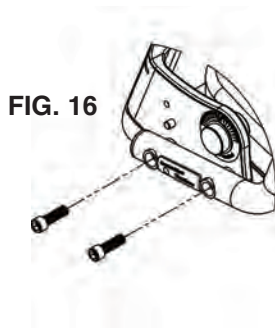
**FIG. 15-** To install the support arm, first remove the nut and the washer from the pre-assembled bolt on the arm, leaving the bolt and the two halves of the fitting (one plastic and one metal) in place on the tube. Thread the bolt into the hip plate, as shown in Fig. 15. Once the bolt has been secured and the support arm has the desired level of tension, install the nut and lock washer on the bolt protruding through the opposite side of the hip plate, closest to the user. Use either the small end of the wrench from the supplied tool kit, or a 17mm socket wrench (preferred) to securely tighten the nut, see p. 30.

*A setscrew in the metal half of the support arm fitting may be used to adjust the level of the tray once the installation is complete.*

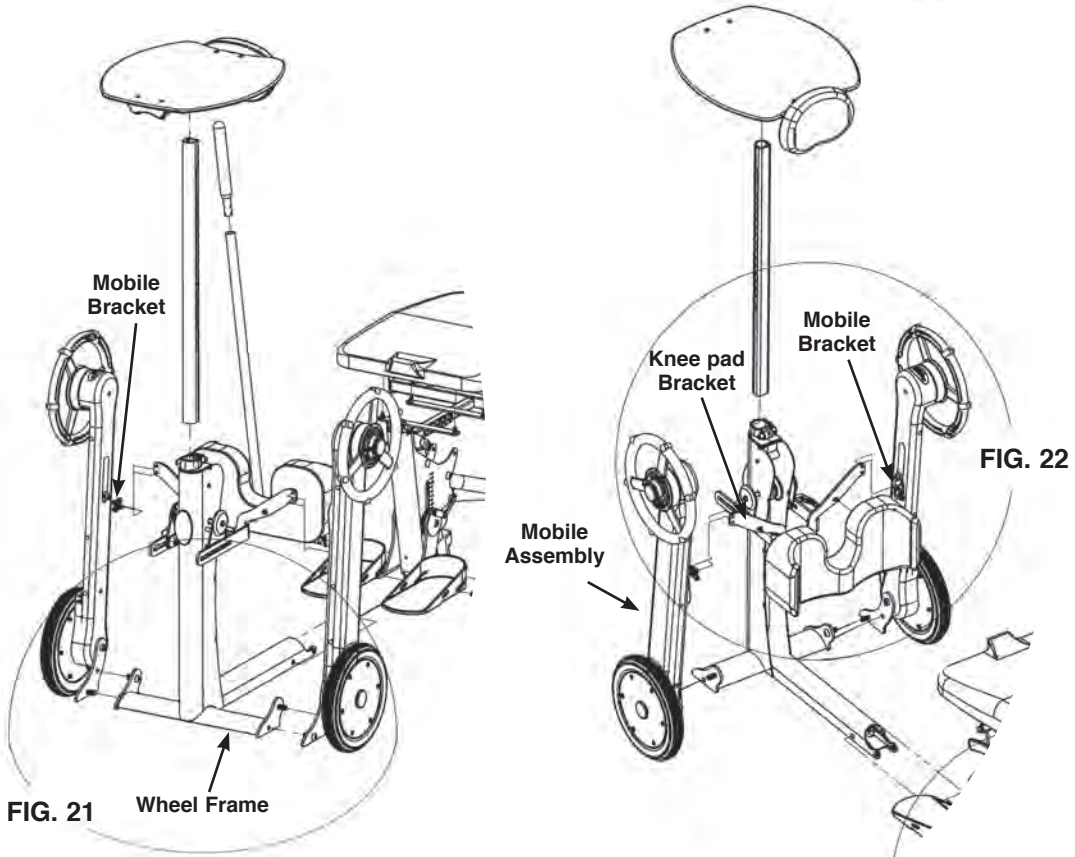
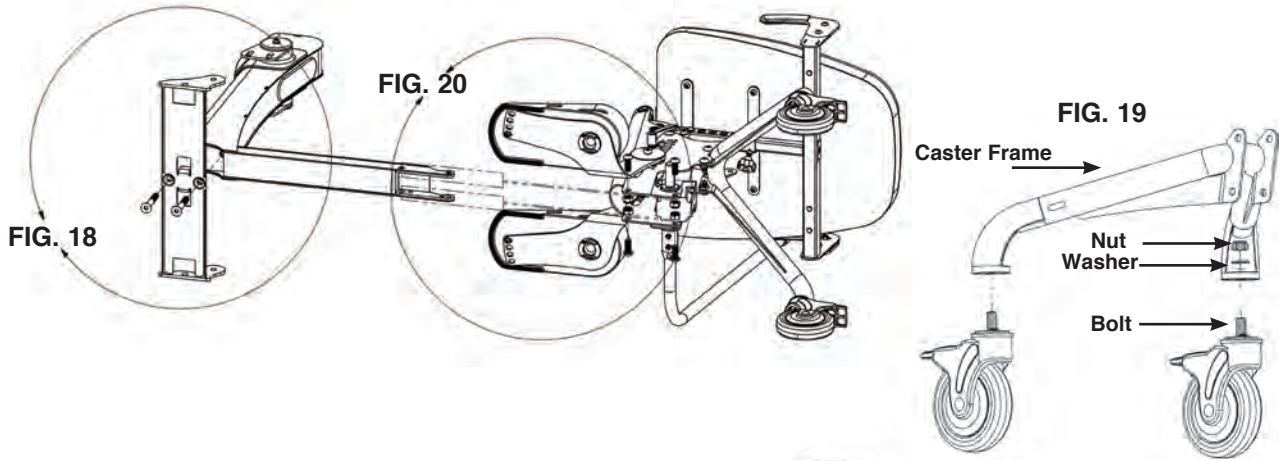
**FIG. 16-** Install the tray arm rest to the unit with the two bolts attached. Tighten bolts securely.

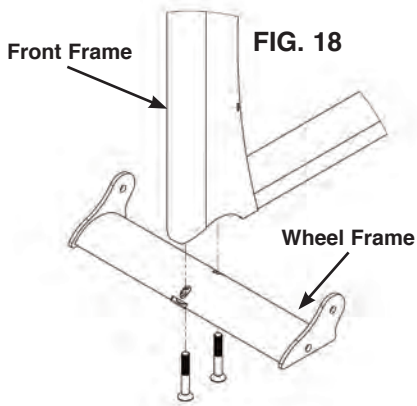
**FIG. 17-** Place chest pad onto tray tubes. Place tray onto bracket and insert the bolts into the bracket and tighten securely.

**For Shadow Tray adjustments, see p. 30.**



# Mobile Assembly

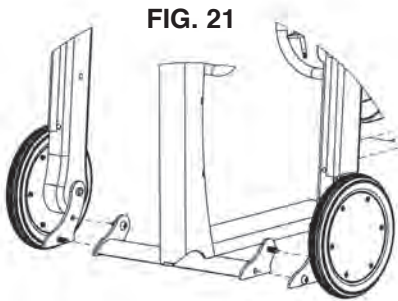




**FIG. 18**

**FIG. 18-** Place the front frame onto the wheel frame. Line up the two bolts with the holes on the wheel frame, start both bolts before tightening securely.

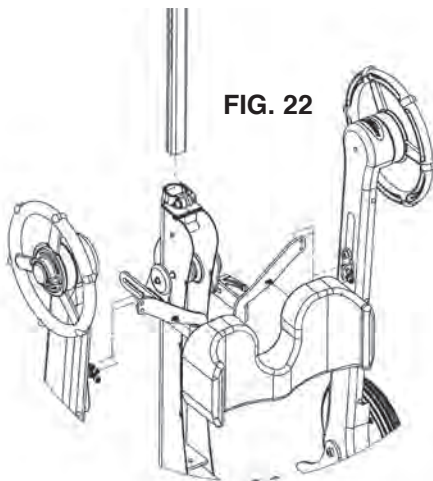
**FIG. 19-** Attach the casters to the rear base frame. Tighten securely using the provided wrench. Ensure the casters are flush with the rear base frame. The casters are supplied with a locking compound pre-applied to the threaded stem. Do not remove this material, it is important to prevent the casters from loosening over time.



**FIG. 21**

**FIG. 20-** Place the front frame and the seat assembly on its side, slide the front frame into the opening of the seat assembly as shown. Line up holes and insert all four bolts first, then place nuts onto bolts and tighten securely with hex wrench and 19mm open-ended wrench. Place unit upright.

**FIG. 21-** Place the left-side mobile assembly onto the wheel frame. Line up holes and insert top bolt through the inside as shown. Place the nut onto the bolt and hand tighten. Line up holes and insert bottom bolt through the outside, as shown. Hand tighten the nut onto the bolt, then tighten both bolts securely with a 19mm wrench and hex wrench. Repeat on the opposite side before continuing to the next step.

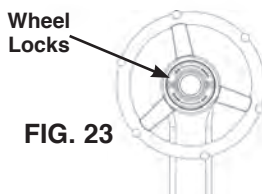


**FIG. 22**

**FIG. 22-** Place mobile bracket onto the kneepad bracket. Place kneepad onto the mobile bracket. Insert three bolts into the back of the kneepad. Tighten bolts securely. Remove bolts from mobile bracket. Flip down kneepad and align bracket on mobile assembly. Tighten bolts and nuts securely with 13mm wrench and hex wrench. Repeat steps on the opposite side before continuing to the next step.

Lift seat up and flip foot plates down. Then insert ratchet handles into foot plates. Tighten securely.

**FIG. 23-** The Mobile is equipped with wheel locks for safety while transferring and stability while performing stationary activities. Note the directional arrows imprinted in the center hub of each handrim.



**FIG. 23**

**To assemble the tray and seat, go to pp. 6, FIG. 5.**

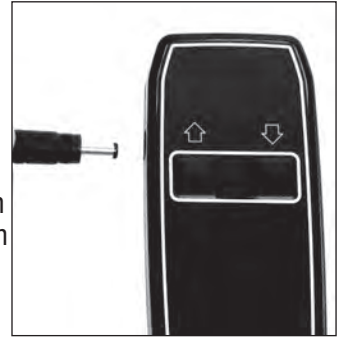
# Pow'r Up Lift

## Charging the Battery

The EasyStand Evolv Pow'r Up Lift uses two 12 volt sealed lead batteries rated at 2.9 amps each. An EasyStand Evolv can be lifted approximately 100 times on one full battery charge. An audible alarm will sound when the battery is low. Please charge the battery after the alarm sounds. A battery needing to be fully recharged will take approximately 8 hours.

**FIG. A**

The EasyStand Evolv can be raised to the standing position while being charged. The function of the charger is to detect a full battery and then provide a constant potential power supply to hold the battery at a full condition without overcharging. When the battery EMF rises to a factory preset point, the charger circuit will not allow the peak output voltage to exceed that value. This factory setting protects a battery from excessive depletion of electrolyte, which can occur from overcharging. The charger can be found in the tool pouch on the back of the unit.

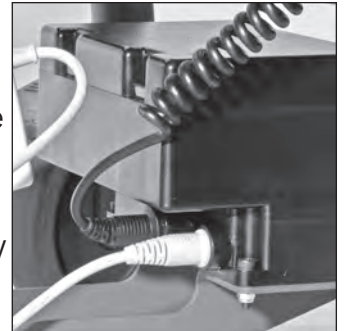


The hand control is a Type BF applied part.

**CAUTION:** Use only the Linak charger, model number 10CH01S-00, provided by Altimate Medical with the Pow'r Up option.

1. Plug the receptacle into a wall outlet. The length of the charger cable is 80" (203cm). The light on the charger will be green indicating an open circuit.
2. **FIG. A-** Plug the charger cord into the side of the hand control. The light on the charger will turn yellow indicating the batteries are being charged. The length of the hand control cable is 30" (76cm), retracted.
3. **FIG. B-** The unit will arrive unplugged from the battery, plug in the white cord that supplies power to the actuator and the black cord that supplies power to the remote. The black cord has a notch on it to orient the connector properly. Fully charge battery before use.  
*Note:* The white cord has a rubber washer on it, which makes it very sticky and sometimes will not get pushed in completely, make sure to push the cord all the way into the battery.
4. When the batteries are charged, the light on the charger will turn green.
5. Fully charge the batteries every three months or less during periods of intermittent or non-use.

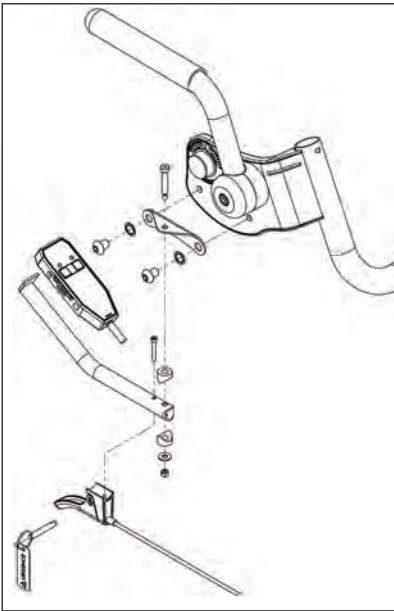
**FIG. B**



**CAUTION:** Ensure the cables are attached properly per the instructions for use. Do not allow the cables to drag on the floor or to catch on objects.



**FIG. C**



## **Assembly of the Hand Control**

**FIG. C-** Assemble the hand control as illustrated in Fig. C.

**⚠ CAUTION:** The Evolv Pow'r Up Option is not designed for continuous use. Duty Cycle 5% Max, 1 min. / 19 min.

**Raising the Lift** - Press the UP (arrow up) button on the hand control to lift the seat.

**Lowering the Lift** - Press the DOWN (arrow down) button on the hand control to lower the seat.

## **Battery Replacement**

The batteries are enclosed in the control box of the Pow'r Up Lift (the black box where the cords are plugged in). Once the batteries have reached the end of their life and need to be replaced, do not open the control box; please contact Altimate Medical customer service or a medical equipment dealer for information about purchasing a replacement control box. It is recommended that the batteries be replaced every four years.

Please contact a local recycling authority for information about disposing old batteries.

## **IP Rating**

The IP rating is a classification system indicating the protection degree from dust, water and impact for electrical equipment and enclosures. Pow'r Up Lift components are rated at IP21. The definition for IP21 is as follows:

**First character definition:** 2 - Protected against solid foreign objects of 12.5mm diameter and greater.

**Second character definition:** 1 - Protected against vertically falling water drops.

## **Electromagnetic compatibility**

Pow'r Up Option components have been designed and tested to meet the applicable EMC requirements. Problems with the EasyStand due to inadequate electromagnetic compatibility is unlikely, however, if any unusual (such as intermittent) behavior of the Pow'r Up option and the EasyStand is noticed and it is being used next to possible interfering equipment such as mobile phones, microwaves, or radio broadcast masts, this could be an indication of electromagnetic interference. If such behavior occurs, use the mechanical release to lower the unit to the seated position and move the EasyStand away from the interfering equipment. Please report any instance of possible electromagnetic interference to AMI's Customer Service Department.

## Guidance and Manufacturer's Declaration - Electromagnetic Emissions


The EasyStand Evolv is intended for use in the electromagnetic environment specified below. The customer or the user of the EasyStand Evolv should assure that it is used in such an environment.		
Emissions Test	Compliance	Electromagnetic Environment - Guidance
RF emissions CISPR 11	Group 1	The EasyStand Evolv uses RF energy only for its internal function. Therefore, its RF emissions are very low and are not likely to cause any interference in nearby electronic equipment.  The EasyStand Evolv is suitable for use in all establishments, including domestic establishments and those directly connected to the public low-voltage power supply network that supplies buildings used for domestic purposes.
RF emissions CISPR 11	Class B	
Harmonic emissions IEC 61000-3-2	Class A	
Voltage fluctuations/ Flicker emissions IEC 61000-3-3	Complies	

## Guidance and Manufacturer's Declaration - Electromagnetic Immunity

The EasyStand Evolv is intended for use in the electromagnetic environment specified below. The customer or the user of the EasyStand Evolv should assure that it is used in such an environment.			
Immunity Test	IEC 60601 Test Level	Compliance Level	Electromagnetic Environment - Guidance
Electrostatic Discharge (ESD) IEC 61000-4-2	± 6 kV contact ± 8 kV air	± 6 kV contact ± 8 kV air	Floors should be wood, concrete, or ceramic tile. If floors are covered with synthetic material, the relative humidity should be at least 30 %.
Electrical Fast Transient/Burst IEC 61000-4-4	± 2 kV for power supply lines ± 1 kV for input/output lines	± 2 kV for power supply lines ± 1 kV for input/output lines	Mains power quality should be that of a typical commercial or hospital environment.
Surge IEC 61000-4-5	± 1 kV line(s) to line(s) ± 2 kV line(s) to earth	± 1 kV line(s) to line(s) ± 2 kV line(s) to earth	Mains power quality should be that of a typical commercial or hospital environment.
Voltage dips, short interruptions and voltage variations on power supply input lines IEC 61000-4-11	<5 % $U_T$ (>95 % dip in $U_T$ ) for 0,5 cycle 40 % $U_T$ (60 % dip in $U_T$ ) for 5 cycles 70 % $U_T$ (30 % dip in $U_T$ ) for 25 cycles <5 % $U_T$ (>95 % dip in $U_T$ ) for 5 s	<5 % $U_T$ (>95 % dip in $U_T$ ) for 0,5 cycle 40 % $U_T$ (60 % dip in $U_T$ ) for 5 cycles 70 % $U_T$ (30 % dip in $U_T$ ) for 25 cycles <5 % $U_T$ (>95 % dip in $U_T$ ) for 5 s	Mains power quality should be that of a typical commercial or hospital environment. If the user of the EasyStand Evolv requires continued operation during power mains interruptions, it is recommended that the EasyStand Evolv be powered from an uninterruptible power supply or a battery.
Power frequency (50/60 Hz) magnetic field IEC 61000-4-8	3 A/m	3 A/m	Power frequency magnetic fields should be at levels characteristic of a typical location in a typical commercial or hospital environment.
<i>NOTE: <math>U_T</math> is the a.c. mains voltage prior to application of the test level.</i>			

## Guidance and Manufacturer's Declaration - Electromagnetic Immunity

The EasyStand Evolv is intended for use in the electromagnetic environment specified below. The customer or the user of the EasyStand Evolv should assure that it is used in such an environment.

Immunity Test	IEC 60601 Test Level	Compliance Level	Electromagnetic Environment - Guidance
<p>Conducted RF IEC 61000-4-6</p> <p>Radiated RF IEC 61000-4-3</p>	<p>3 Vrms 150 kHz to 80 MHz</p> <p>3 V/m 80 MHz to 2.5 GHz</p>	<p>3 Vrms</p> <p>3 V/m</p>	<p>Portable and mobile RF communications equipment should be used no closer to any part of the EasyStand Evolv, including cables, than the recommended separation distance calculated from the equation applicable to the frequency of the transmitter.</p> <p>Recommended separation distance</p> $d = 1.2 \sqrt{P}$ <p><math>d = 1.2 \sqrt{P}</math> 80 MHz to 800 MHz</p> <p><math>d = 2.3 \sqrt{P}</math> 800 MHz to 2.5 GHz</p> <p>Where <math>P</math> is the maximum output power rating of the transmitter in watts (W) according to the transmitter manufacturer and <math>d</math> is the recommended separation distance in meters (m).</p> <p>Field strengths from fixed RF transmitters, as determined by an electromagnetic site survey<sup>a</sup>, should be less than the compliance level in each frequency range.<sup>b</sup></p> <p>Interference may occur in the vicinity of equipment marked with the following symbol:</p> <div style="text-align: center;">  </div>

*NOTE 1: At 80 MHz and 800 MHz, the higher frequency range applies.*

*NOTE 2: These guidelines may not apply in all situations. Electromagnetic propagation is affected by absorption and reflection from structures, objects, and people.*

<sup>a</sup> Field strengths from fixed transmitters, such as base stations for radio (cellular/cordless) telephones and land mobile radios, amateur radio, AM and FM radio broadcast and TV broadcast cannot be predicted theoretically with accuracy. To assess the electromagnetic environment due to fixed RF transmitters, an electromagnetic site survey should be considered. If the measured field strength in the location in which the EasyStand Evolv is used exceeds the applicable RF compliance level above, the EasyStand Evolv should be observed to verify normal operation. If abnormal performance is observed, additional measures may be necessary, such as re-orienting or relocating the EasyStand Evolv.

<sup>b</sup> Over the frequency range 150 kHz to 80 MHz, field strengths should be less than 3 V/m.

## Recommended separation distances between portable and mobile RF communications equipment and the EasyStand Evolv

The EasyStand Evolv is intended for use in an electromagnetic environment in which radiated RF disturbances are controlled. The customer or the user of the EasyStand Evolv can help prevent electromagnetic interference by maintaining a minimum distance between portable and mobile RF communications equipment (transmitters) and the EasyStand Evolv as recommended below, according to the maximum output power of the communications equipment.

Rated maximum output power of transmitter W	Separation distance according to frequency of transmitter m		
	150 kHz to 80 MHz $d = 1.2 \sqrt{P}$	80 MHz to 800 MHz $d = 1.2 \sqrt{P}$	800 MHz to 2.5 GHz $d = 2.3 \sqrt{P}$
0.01	.12	.12	.23
0.1	.38	.38	.73
1	1.2	1.2	2.3
10	3.8	3.8	7.3
100	12	12	23

For transmitters rated at a maximum output power not listed above, the recommended separation distance  $d$  in meters (m) can be estimated using the equation applicable to the frequency of the transmitter, where  $P$  is the maximum output power rating of the transmitter in watts (W) according to the transmitter manufacturer.

*NOTE 1: At 80 MHz and 800 MHz, the higher frequency range applies.*

*NOTE 2: These guidelines may not apply in all situations. Electromagnetic propagation is affected by absorption and reflection from structures, objects, and people.*

### Activating the Mechanical Emergency Release

All Altimate Medical electric lift products are equipped with a mechanical release to be used in emergency situations.

**⚠ CAUTION:** Using the emergency mechanical release as the primary means to return to the seated position can cause damage to the unit. Only use the mechanical release in emergency situations.

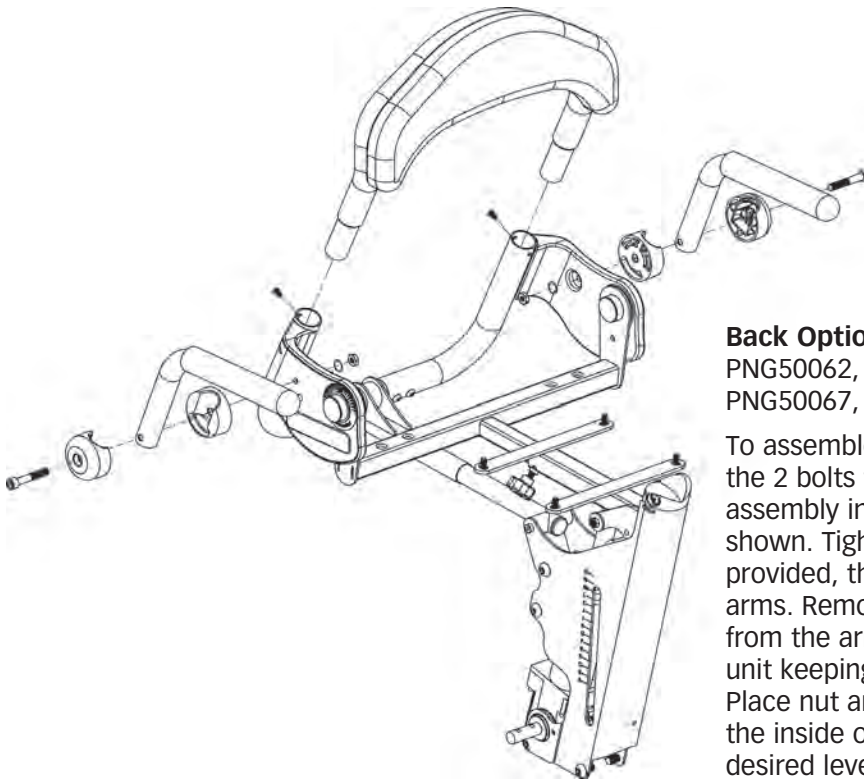
**FIG. E-** The release allows the user to be lowered to a seated position in the unlikely occurrence of the battery losing charge while the user is in a standing position. The actuator only retracts if the release is pulled and there is weight on the seat. The release is located on the left side of the seat and is signified by a red tag with the word "EMERGENCY".

1. To activate the emergency mechanical release pull out the quick release pin located on the left side of the seat.
2. Squeeze the handle and if necessary, push down on the seat.

**FIG. E**



# Option Assembly



## Back Option

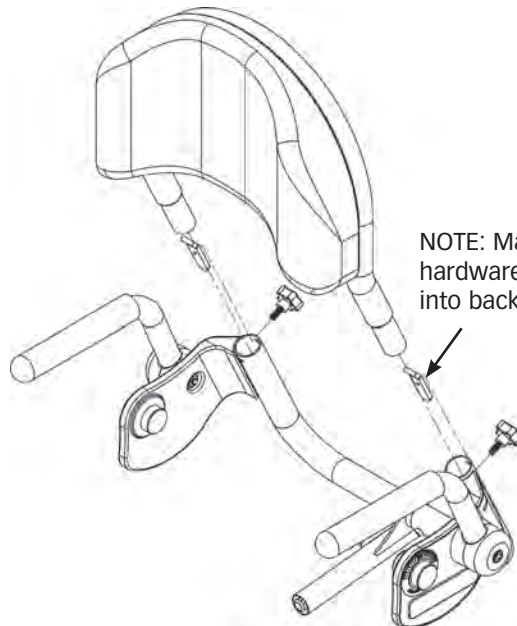
PNG50062, PNG50066,  
PNG50067, PNG50068

To assemble the back option, remove the 2 bolts from the back, slide the back assembly into the seat assembly as shown. Tighten securely with bolts provided, then add the swing-away arms. Remove the nut and lock washer from the arm. Place the arm onto the unit keeping the arm assembly together. Place nut and lock washer onto bolt on the inside of the unit. Tighten securely to desired level of tension.

## Removable Back Option

PNG50171, PNG50172,  
PNG50173, PNG50174

To attach the Removable Back to the unit, slide the back assembly into the seat assembly as shown. Insert hardware into back tubes with tabs facing upward and toward the back. Tighten securely with knobs provided.





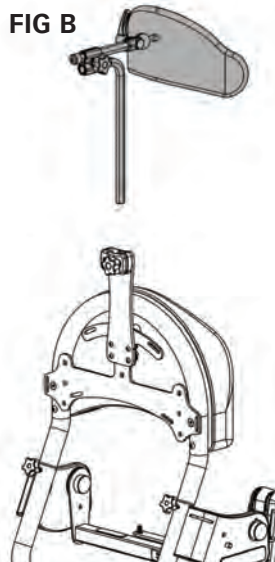
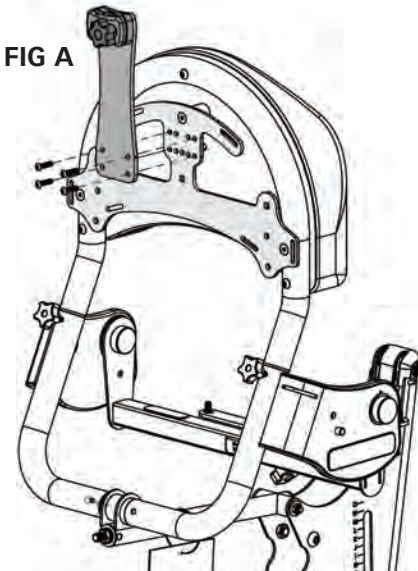
**Secure Foot Straps**  
PNG30031-15"L  
PNG50506-21"L



**Standard Foot Straps**  
PNG30030-15"L  
PNG50505-21"L

**Head Support-Short**  
21"-30"H  
PNG50240

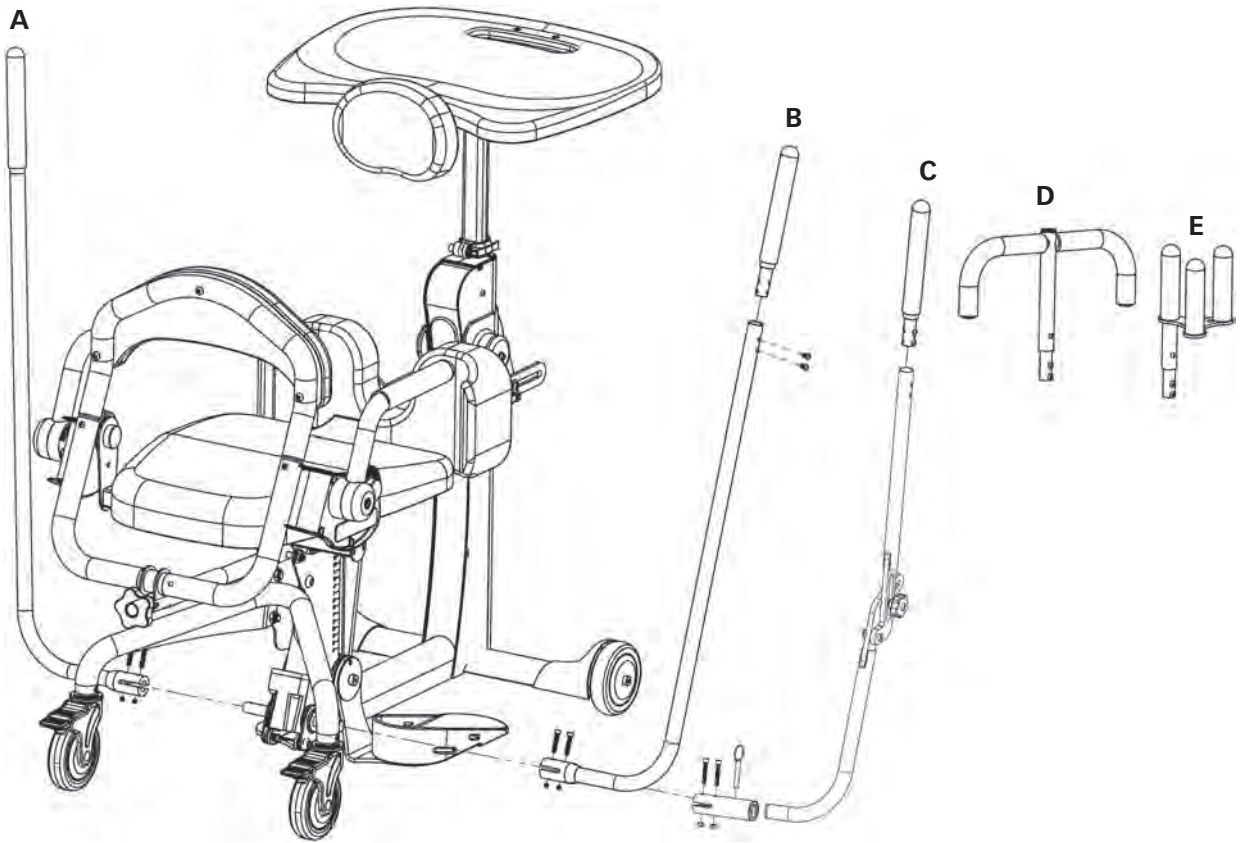
**Head Support-Tall**  
25"-34"H  
PNG50037



If you ordered the high mount chest vest bracket see p. 21.

**FIG A-** Place head support bracket onto accessories mounting bracket as shown. Insert 4 bolts and nuts and tighten securely.

**FIG B-** Insert the head support onto the unit and tighten securely.



Remove the nuts and bolts from the pump handle. Insert the handle onto the pump. Line up holes and insert bolts, place nuts onto bolts. Tighten securely.

**A**  
**Standard  
 Actuator  
 Left Handle**  
 PNG50126

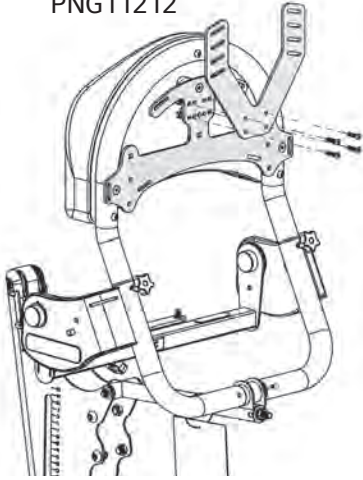
**B**  
**Standard  
 Actuator  
 Right Handle**  
 PNG50059

**C**  
**Adjustable/  
 Removable Handle  
 Universal Left/Right**  
 PNG50328

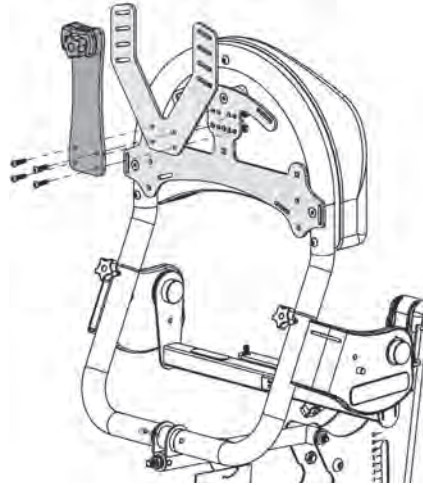
**D**  
**T-Style  
 Handle  
 Extension**  
 PNG50070

**E**  
**Quad Grip  
 Handle  
 Extension**  
 PNG50044

**High Mount Chest  
Vest Bracket**  
PNG11212

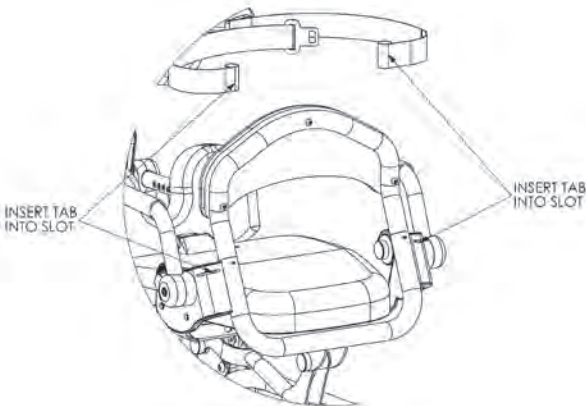


**High Mount Chest Vest Bracket  
with Head Support**  
PNG11212

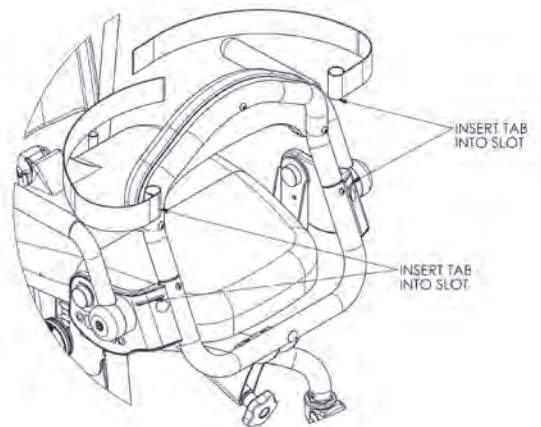


If you ordered the high mount chest vest bracket and head support, place the head support bracket and the high mount chest vest bracket on the unit as shown. Insert 4 bolts and nuts and tighten securely. See p. 19 for head support assembly.

**Airline Buckle Hip  
Belt**  
PNG30028 26"-55"



**Velcro Hip Belt**  
PNG30029 26"-55"  
PNG30306 38"-67"

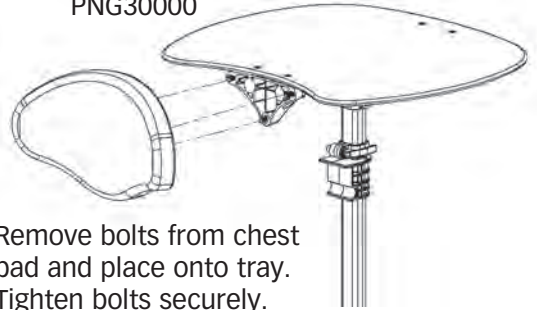






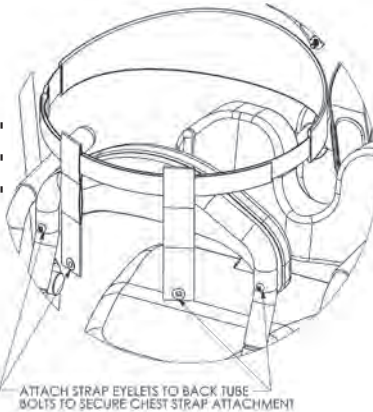
**Oversized Tray**  
PNG50194

**Large Contoured  
Chest Pad**  
PNG30000

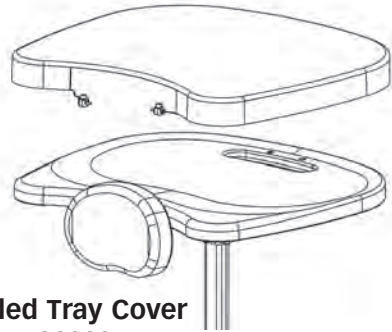


Remove bolts from chest pad and place onto tray. Tighten bolts securely.

**Chest Strap**  
PNG50192 30"-46"  
PNG50193 34"-54"  
PNG50504 46"-66"



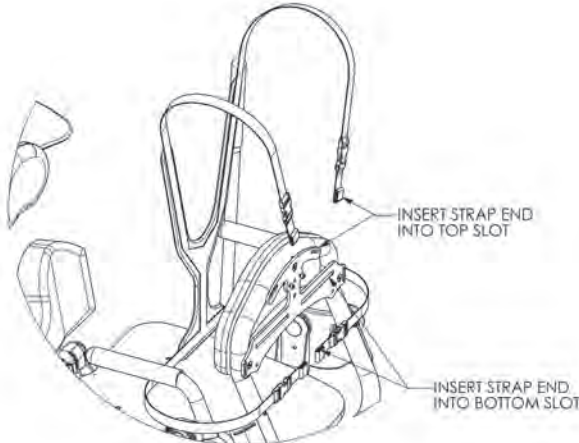
ATTACH STRAP EYELETS TO BACK TUBE BOLTS TO SECURE CHEST STRAP ATTACHMENT



**Padded Tray Cover**  
PNG30295

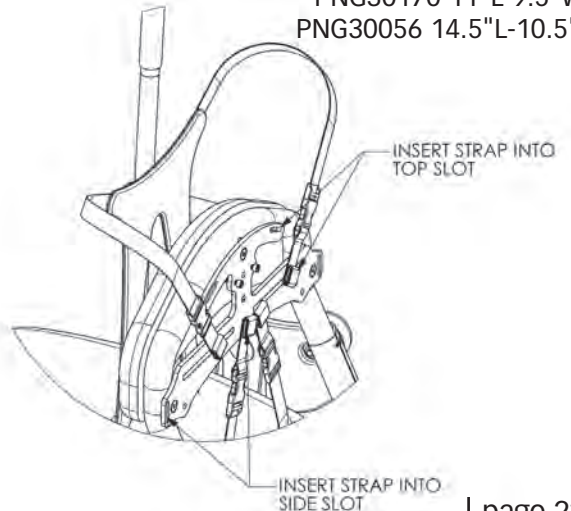
**Y-Style  
Chest Vest**

PNG30171 17.5"L-11.5"W  
PNG30021 20.5"L-12.5"W

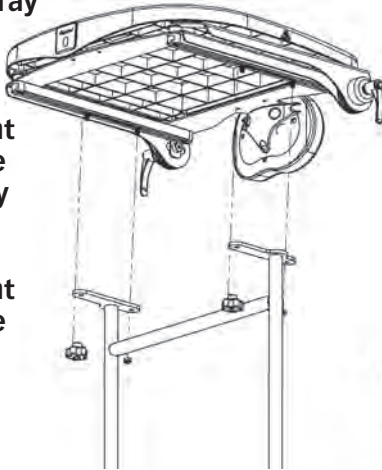


**X-Style  
Chest Vest**

PNG30170 11"L-9.5"W  
PNG30056 14.5"L-10.5"W



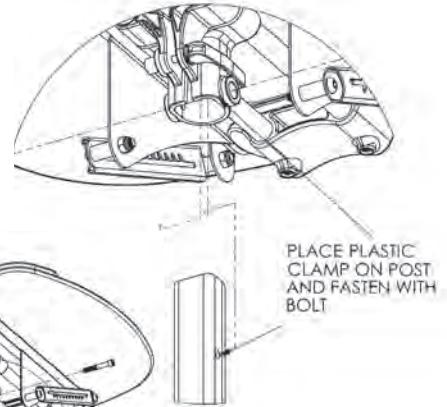
**Swing-Away Front  
Angle Adjustable Tray  
Black Molded**  
PNG50490



**Swing-Away Front  
Angle Adjustable  
Clear Acrylic Tray**  
PNG50489

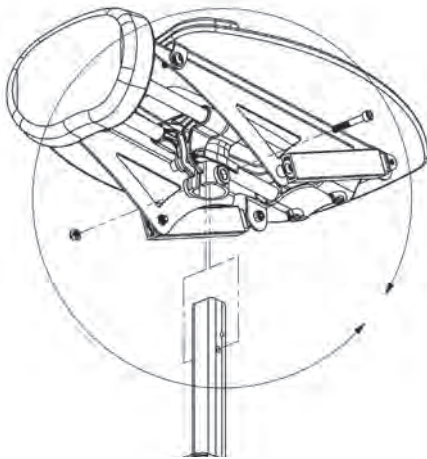
**Swing-Away Front  
Angle Adjustable  
Oversized Clear  
Acrylic Tray**  
PNG50491

Place tray onto the tray post, insert nut into slot and bolt into hole, tighten securely.



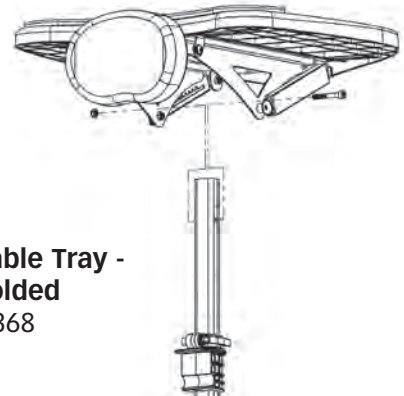
PLACE PLASTIC CLAMP ON POST AND FASTEN WITH BOLT

**Angle Adjustable Tray -  
Clear Acrylic**  
PNG50366



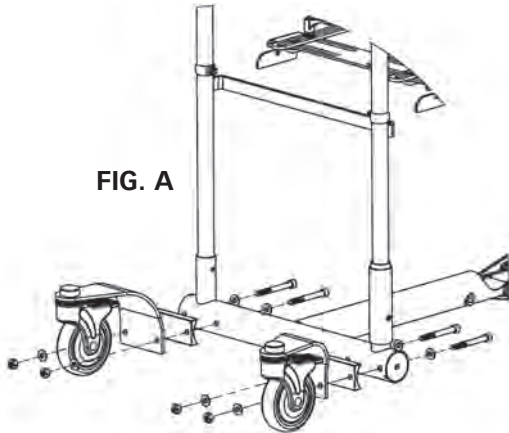
**Angle Adjustable Tray -  
Clear Acrylic for Mobile**  
PNG50327

**Angle Adjustable Tray -  
Black Molded**  
PNG50368



**NOTE:** Raise the Angle Tray by pulling up on the front of the tray and it will lock into position, to lower the tray, angle the tray all the way up and the mechanism will become free to lower the tray.

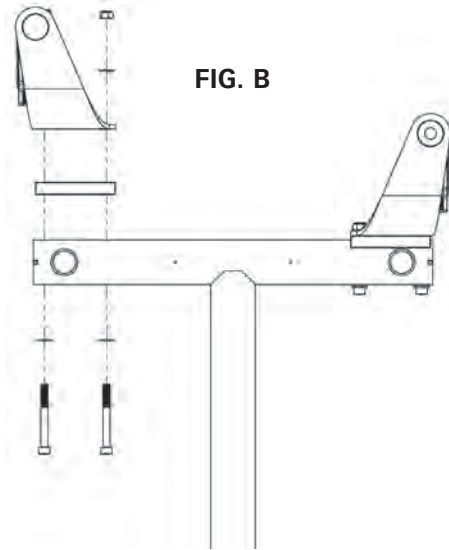
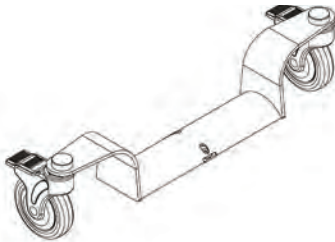
**Front Swivel Casters for  
Swing-Away Front**  
Evolv Medium/Large-PNG50483



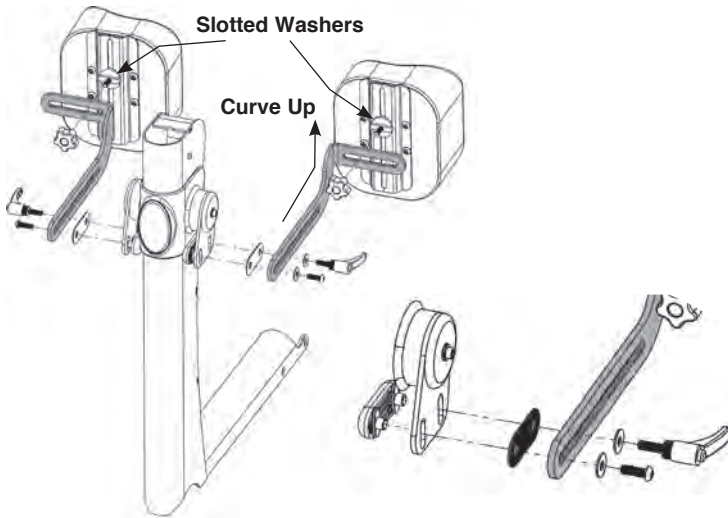
**FIG. A-** Place a block of wood under the unit to raise the caster frame. Place hardware onto the unit as shown- bolt, washer, frame, spacer, caster assembly, washer, then nut.

**FIG. B-** It is important to ensure the brackets are assembled as shown, with the angular portion of the bracket pointing outward and away from each other. Tighten securely.

**Front Swivel Casters**  
Evolv Medium/Large-PNG50314  
Evolv XT-PNG50346

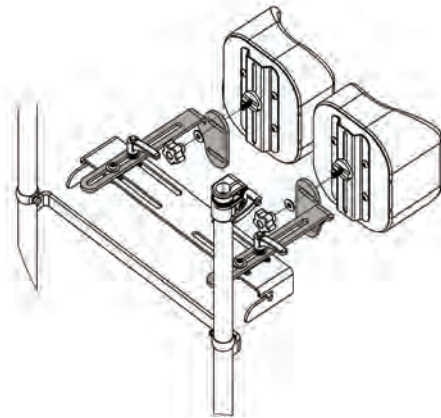


**Independent  
Knee pads PNG50384**

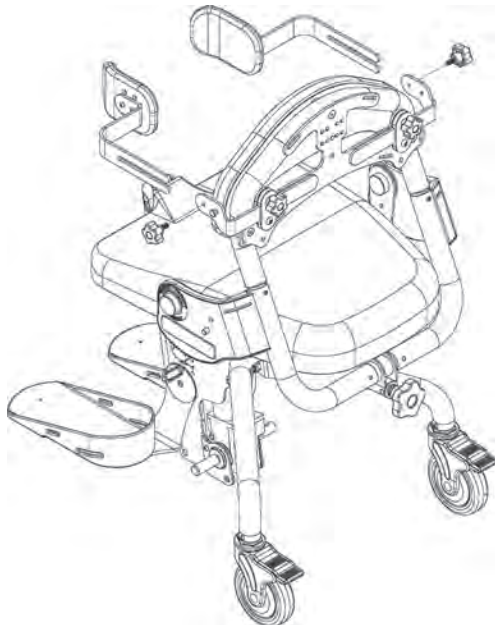


**Independent Roho®  
Knee pads PNG50385**

**Swing-Away Front  
Independent Knees PNG50425**



Remove ratchet handle and hardware from the knee bracket. Place onto the column in the order as shown. Make sure spacer is placed between the two steel brackets. Leave the bolt just loose enough to allow bracket to slide freely. Note the position of the grey brackets, the curve must go up. The narrow end of the slotted washer for the knee pads will be inserted into the bracket.



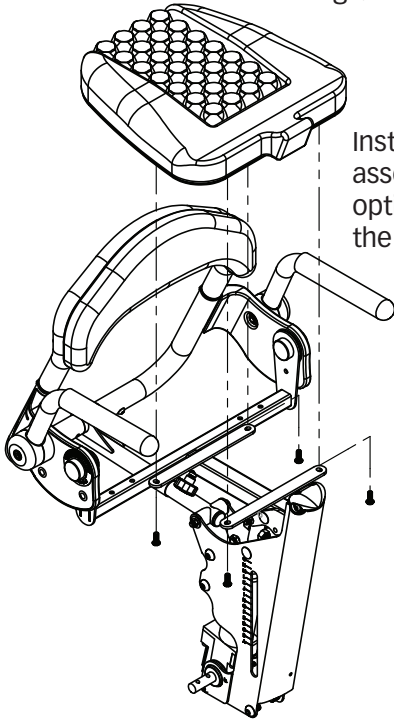
**Lateral Supports**  
8"-16.5"W  
PNG50224

**Lateral Supports**  
11"-19.5"W  
PNG50176

Slide each lateral support onto notch and knob on the accessories mounting bracket. Tighten knobs securely.

### Roho® Seat

Evolv Medium-PNG30183  
Evolv Large/XT-PNG30023

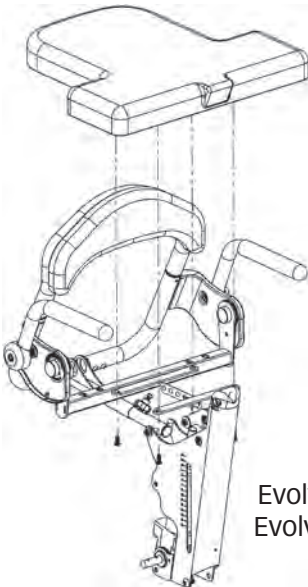
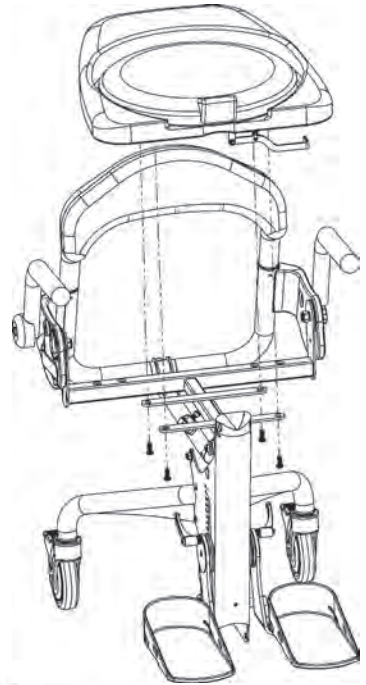


Install the seat onto the seat assembly after all the other options are added. Tighten the bolts securely.

### Rotating Seat

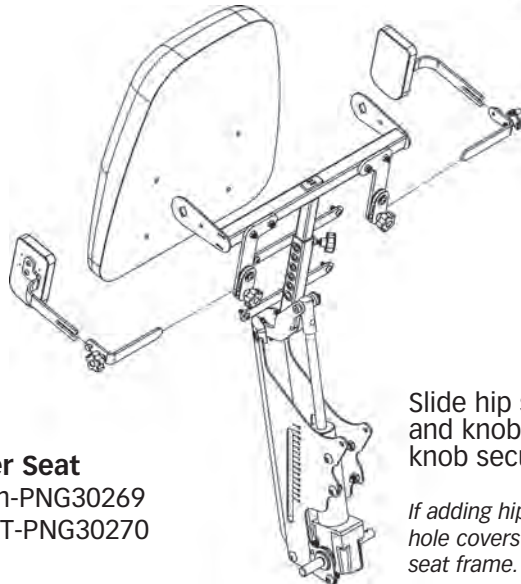
Evolv Medium-PNG50324  
Evolv Large/XT-PNG50318

Push the lever under the seat to rotate. Ensure seat is locked into position prior to transferring.



### Transfer Seat

Evolv Medium-PNG30269  
Evolv Large/XT-PNG30270



### Hip Supports

Evolv Medium  
PNG50161 9"-15"  
PNG50198 11"-17"

Evolv Large/XT  
PNG50161 10"-15"  
PNG50198 12"-17"

Slide hip supports onto notch and knob under seat. Tighten knob securely.

*If adding hip supports off-unit, remove hole covers from top and bottom of the seat frame.*

# Adjusting the EasyStand® Evolv®

## Foot Plates

⚠ **Caution:** Never reposition the foot plates while a user is in the standing position.

**FIG. G-** Loosen the clamp connecting the foot bracket to the seat post to adjust the foot plate height and plantar/dorsi.

Position the height of the foot bracket so the user's knee is as close to the seat pivot as possible. The femur should be resting on the seat, at a slight downward angle.

Tighten the clamp securely.

⚠ **Caution:** Avoid placing fingers in the adjustment slot.

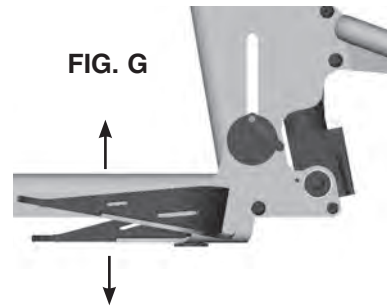
**FIG. H-** The foot plates can be abducted in 4 different positions (toe out), by removing the bolt underneath the front edge of the foot plate with a hex wrench and lifting up and turning the foot plate. Make sure the foot plate notch is positioned in one of the four slots.\* Place the bolt back into the foot plate once the desired position is reached.

*\*Available on the Evolv E3 if ordered with multi-adjustable foot plates.*

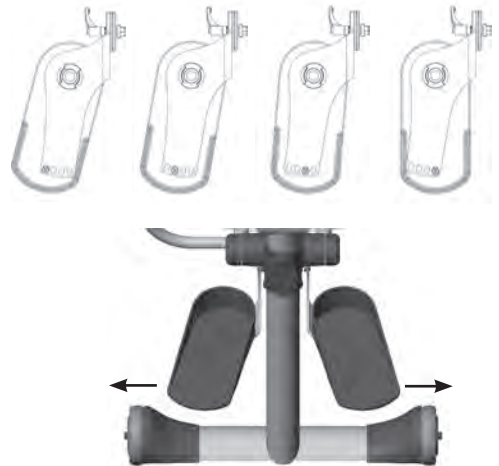
## Knee pad

**FIG. I-** To adjust the knee pad depth, loosen the ratchet handle and move into position. Tighten ratchet handle when the desired position is reached.

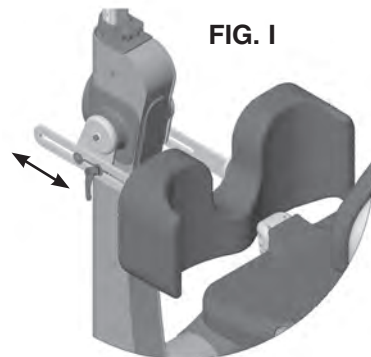
Position the knee pad so the user's knee is centered in the knee pad and only 2 fingers fit between the back of the leg and the seat.



**FIG. H**



**FIG. I**



## Hip Supports

**FIG. J-** The hip supports are optional and can be removed for transferring. The hip support width can be adjusted by loosening the knobs underneath the seat. Always tighten securely.

The hip supports have a number of attachment holes on the back of the pad which will allow for additional positions vertically and horizontally. The pads may also be bolted on at a straight, 90°, 180°, or 270° position.

Please check for fit and interference by bringing the unit to the full standing position and back to sitting again without a user seated in the unit, as the pads may not work perfectly in all positions.

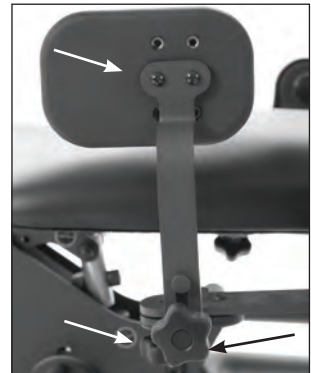
## Lateral Supports

**FIG. K-** The lateral supports are optional and can be removed for transferring. The lateral support width can be adjusted by loosening the knobs on the back of the unit. Always tighten securely.

The lateral supports have a number of attachment holes on the back of the pad which will allow for additional positions vertically and horizontally. The pads may also be bolted on at a straight, 90°, 180°, or 270° position.

Please check for fit and interference by bringing the unit to the full standing position and back to sitting again without a user seated in the unit, as the pads may not work perfectly in all positions.

**FIG. J**



**FIG. K**



## Seat Depth/Back Angle

**⚠ Caution:** These adjustments are only to be made while the unit is in the seated position.

**FIG. L-** Loosen the knob on the seat tube located under the seat. Do not unscrew seat depth knob all the way when adjusting the seat.

Depress the spring button and position the back so that the hip pivot is located as close as possible to the user's hips. Tighten the seat depth knob securely.

Note: Adjust back angle after each seat depth position change.

**FIG. M-** To adjust the back angle, use the knob located on the following arm. Before standing, the back angle must be set so the indicator on the side of the unit is in the green.

**FIG. N-** The back/seat angle locator is located on the side of the unit. When the unit is in the seated position, the green area indicates the back angle. Before standing, the indicator must be in the green.

**⚠ Caution:** Before standing, the seat/back angle indicator must be in the green. Failure to set the back angle in green prior to standing could cause the unit to lock in a standing position, causing damage to the unit.

## Tray/Front Pad

**FIG. O-** To adjust the height of the tray/front pad, loosen the clamp located just above the front column. Lift the tray to the user's desired height level and tighten the clamp.

To adjust the depth of the tray/front pad, loosen the clamp located just below the tray. Move the front pad to the user's desired position and tighten the clamp.

**⚠ Caution:** While lowering the tray height, keep hands clear of the area underneath the tray.

FIG. L



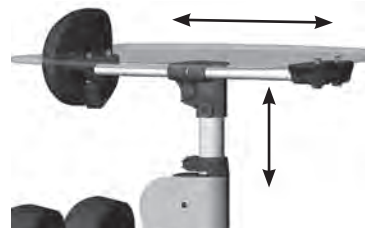
FIG. M



FIG. N

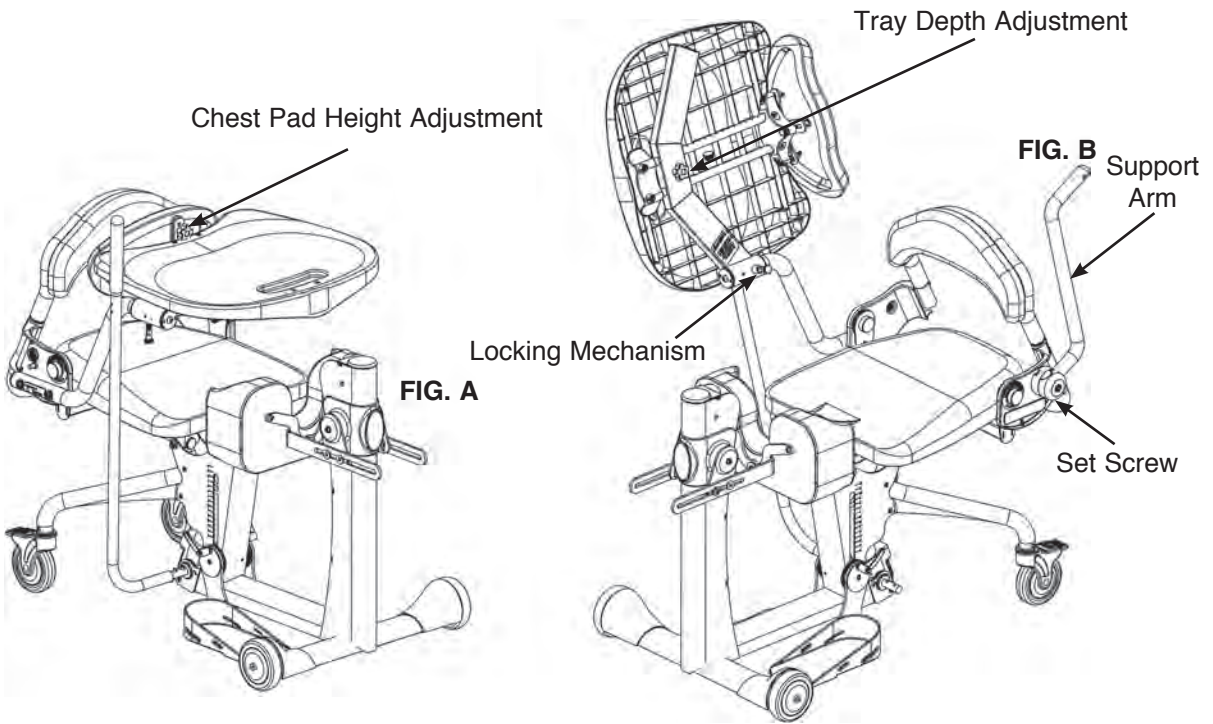


FIG. O





# Shadow<sup>®</sup> Tray Adjustments



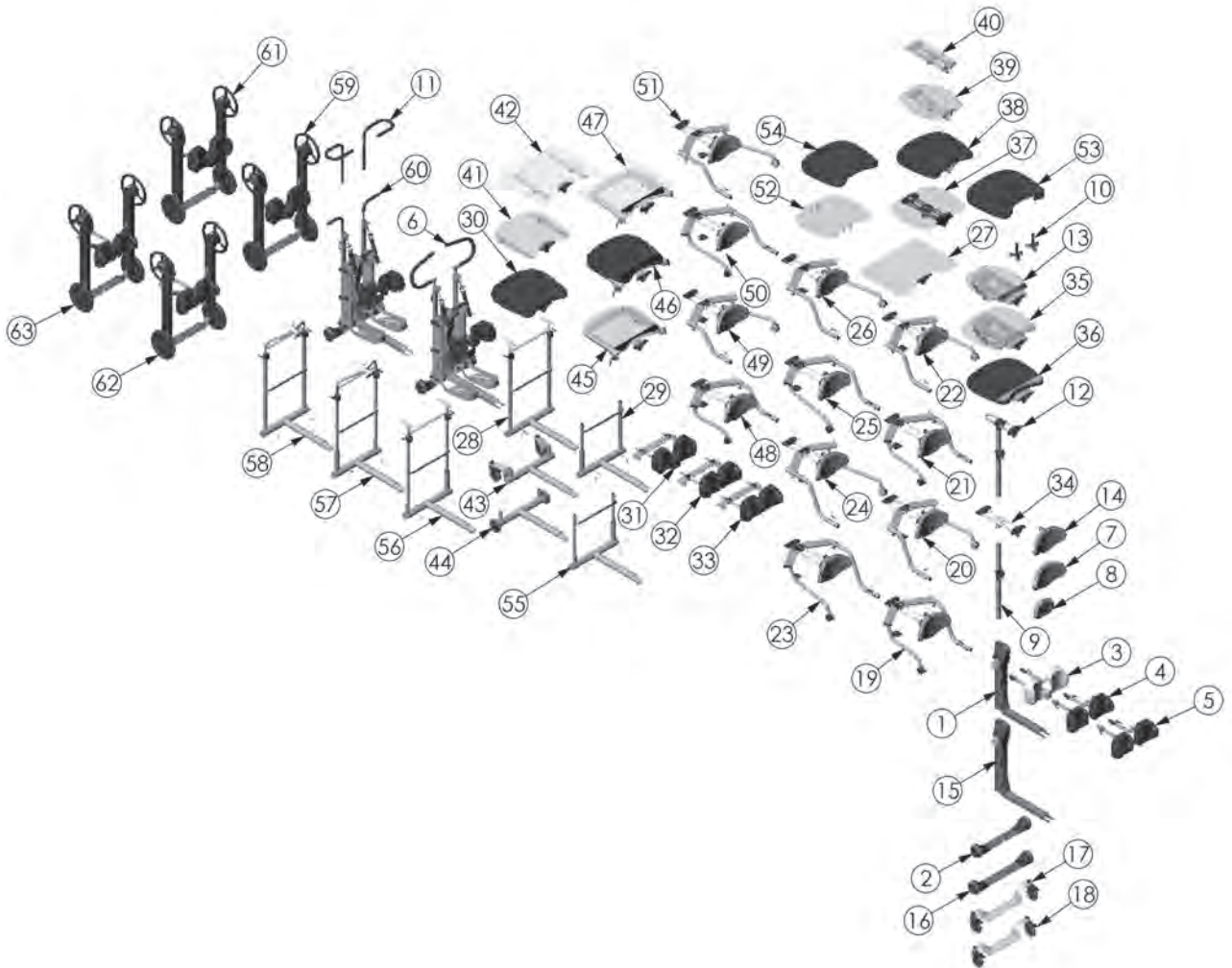
**FIG. A-** To adjust chest pad height, loosen knob and move to desired position. Tighten securely.

**FIG. B-** To adjust the depth of the front pad and tray, loosen the knob located below the tray. Move the front pad to the user's desired position and tighten the knob. To flip the tray up, pull out and twist the locking mechanism and lift. To adjust the level of the support arm use the set screw to set to the desired position.

**⚠ Caution:** After flipping the tray up, be certain to put the locking mechanism back into place. Failure to do so can cause the tray to fall suddenly.

**⚠ Caution:** Avoid placing fingers near the tray tubes and chest height adjustment slots.

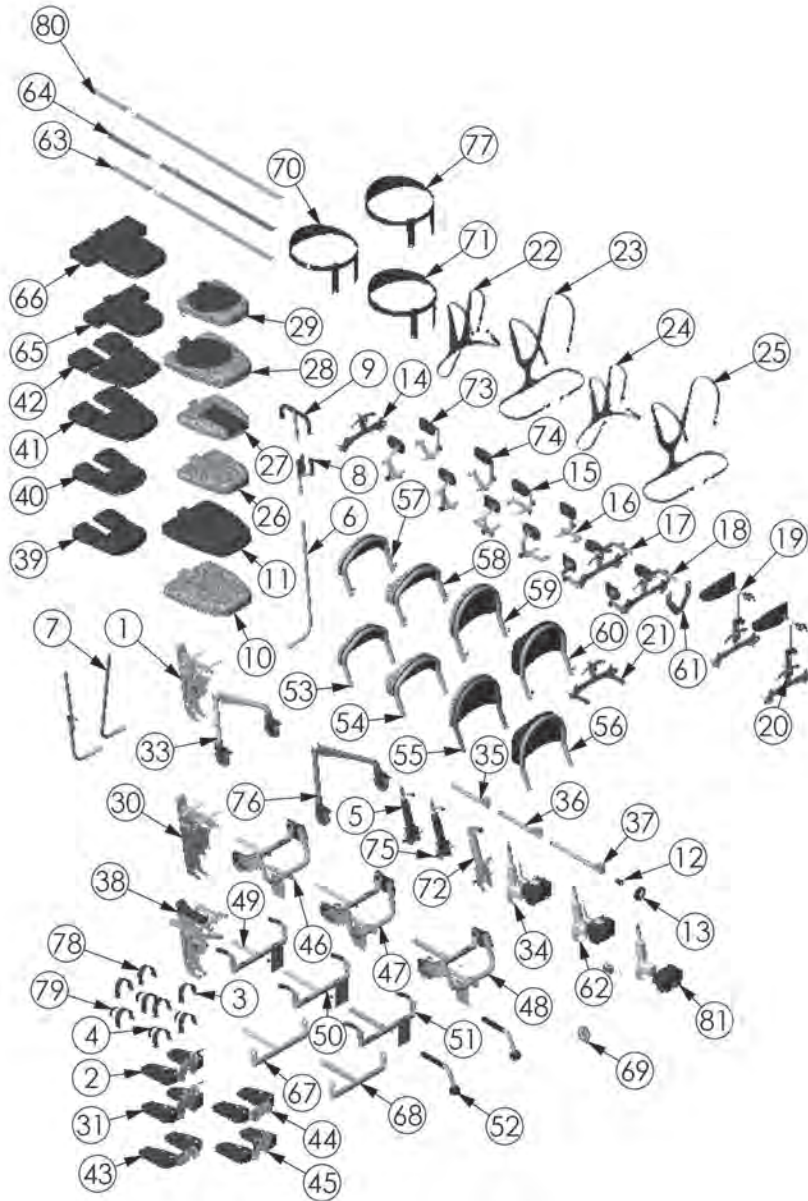
# Evolv® Options & Parts Detail (front)



ITEM NO.	PART NO.	NAME
1	NG50376	FRONT FRAME STANDARD IND KNEE
2	NG50055	FRONT CASTER FRAME STANDARD
3	NG50460	PAD STANDARD KNEE ASSEMBLY
4	NG50384	INDEPENDENT KNEES EVOLV
5	NG50385	INDEPENDENT KNEES EVOLV ROHO
6	NG50024	NEW GENERATION GLIDER ASSEMBLY
7	NG30000	PAD FRONT EXTRA SUPPORT
8	NG30001	PAD CHEST STANDARD
9	NG50309	TABLE POST ASSEMBLY
10	NG50042	SUPPORT GRIP OPTION
11	NG50251	HANDLE ADJ U-SHAPE YOUTH
12	NG50295	ASMBLY NO-TABLE OPTION
13	NG50327	ANGLE ADJUSTABLE TRAY MOBILE
14	NG50331	ASSEMBLY ADJUSTABLE PAD BRACKET
15	NG50377	FRONT FRAME XT
16	NG50207	FRONT CASTER FRAME STANDARD XL
17	NG50346	ASMBLY CASTER FRONT EVOLV XT
18	NG50314	ASMBLY CASTER FRONT EVOLV
19	NG50026	TABLE SHADOW 12" RH
20	NG50125	TABLE SHADOW 12" LH
21	NG50130	TABLE SHADOW 10" RH
22	NG50231	TABLE SHADOW 10" LH
23	NG50332	TABLE SHADOW 12" DEEP RH
24	NG50333	TABLE SHADOW DEEP 12" LH
25	NG50334	TABLE SHADOW 10" DEEP RH
26	NG50335	TABLE SHADOW DEEP 10" LH
27	NG50194	OVERSIZED TABLE ASSEMBLY
28	NG50417	EVOLV H-FRAME RH
29	NG50428	EVOLV H-FRAME RH SHADOW
30	NG50418	TRAY ASSEMBLY BLK-MOLDED H-FRAME
31	NG50424	PAD KNEE STANDARD H-FRAME
32	NG50425	PAD KNEE IND H-FRAME
33	NG50426	PAD KNEE IND ROHO H-FRAME
34	NG50341	TABLE SLIDE ASSEMBLY
35	NG50366	ASMBLY TABLE TILT CLEAR
36	NG50368	ASMBLY TABLE STANDARD TILT
37	NG50248	TABLE EVOLV ACRYLIC
38	NG50247	TABLE EVOLV STANDARD
39	NG50372	TABLE EVOLV MOBILE
40	NG50370	TABLE EVOLV GLIDER
41	NG50456	TRAY ASSEMBLY CLEAR H-FRAME
42	NG50458	TRAY ASSEMBLY OVERSIZED H-FRAME
43	NG50483	ASMBLY H-FRAME SW FRONT EVOLV
44	NG50488	H-FRAME STANDARD FRONT EVOLV
45	NG50489	TRAY ASMBLY CLEAR TILT SWING AWAY
46	NG50490	TRAY ASMBLY BLK TILT SWING AWAY
47	NG50491	TRAY ASMBLY O-SIZE TILT SWING AWAY
48	NG50471	TABLE SHADOW TRAY 7" RH
49	NG50472	TABLE SHADOW TRAY 7" LH

ITEM NO.	PART NO.	NAME
50	NG50474	TABLE SHADOW 7" DEEP RH
51	NG50475	TABLE SHADOW 7" DEEP LH
52	NG50347	TABLE EVOLV ACRYLIC
53	NG30295	PADDED TRAY COVER
54	NG50348	TABLE EVOLV STANDARD
55	NG50427	EVOLV H-FRAME LH SHADOW
56	NG50416	EVOLV H-FRAME LH
57	NG50497	EVOLV NO TABLE H-FRAME RH
58	NG50498	EVOLV NO TABLE H-FRAME LH
59	NG50025	MOBILE OPTION EVOLV
60	NG50187	NEW GENERATION GLIDER ASSEMBLY
61	NG50322	MOBILE OPTION EVOLV XT
62	NG50510	MOBILE OPTION IND ROHO KNEES
63	NG50512	MOBILE OPTION IND KNEES

# Evolv® Options & Parts Detail (rear)



ITEM NO.	PART NO.	NAME	ITEM NO.	PART NO.	NAME
1	NG50007	SEAT LIFT W/ ARMS MED	50	NG50445	ASMBLY EVOLV NO BACK ADULT
2	NG50015	FOOT ASMBLY LG	51	NG50446	ASMBLY EVOLV NO BACK XT
3	ng30030	FOOT STRAPS 15"L	52	NG50450	ARM REST ASSEMBLY EVOLV
4	NG30031	SECURE FOOT STRAPS 15"L	53	NG50066	BACK LOW FLAT
5	NG50009	PUMP HYDRAULIC ASSEMBLY LARGE	54	NG50062	BACK LOW W/CONTOUR (V908)
6	NG50059	HANDLE PUMP STANDARD RT	55	NG50067	BACK HIGH FLAT(V909)
7	NG50126	HANDLE PUMP STANDARD LH	56	NG50068	BACK HIGH W/CONTOUR (V910)
8	NG50044	QUAD GRIP OPTION	57	NG50171	BACK REMOVABLE LOW FLAT
9	NG50070	ACTUATOR HANDLE EXTENSION EVOLV LG	58	NG50172	BACK REMOVABLE LOW CONTOURED
10	NG30006	PAD SEAT COUNTOURED LARGE	59	NG50173	BACK REMOVABLE HIGH FLAT
11	NG30023	PAD SEAT LG ROHO OPTION	60	NG50174	BACK REMOVABLE HIGH CONTOURED
12	NG20122	KNOB FEMALE M12 X 1.75	61	NG11212	HIGH MOUNT CHEST VEST BRACKET
13	600002	WHEEL 100mm W/FOLD AWAY HANDLE	62	NG50010	POW'R UP LIFT EVOLV
14	NG50034	BRACKET ACCESSORY LG	63	NG30029	POSITIONING BELT 26"-55"
15	NG50161	HIP GUIDE ASSEMBLY MEDIUM	64	NG30028	STRAP SEAT BELT W/BUCKLE NG ADULT
16	NG50198	HIP GUIDE ASSEMBLY LARGE	65	NG30269	SEAT LATERAL TRANSFER YOUTH
17	NG50224	LATERAL SUPPORTS 8"-16.5"W	66	NG30270	SEAT LATERAL TRANSFER ADULT
18	NG50176	LATERAL SUPPORTS 11"-19.5"W	67	NG50499	ASSEMBLY BEARING SEAT DEPTH
19	NG50240	HEAD REST ASSEMBLY MED	68	NG50500	ASSEMBLY BEARING SEAT DEPTH XT
20	NG50037	HEAD REST ASSEMBLY LG (V915)	69	80246	SEAT ANGLE LOCATOR
21	NG50040	HANDLE PUSH ASSEMBLY	70	NG50192	CHEST STRAP 30"-46"
22	NG30056	X-STYLE CHEST VEST 11"L X 9.5"W	71	NG50193	CHEST STRAP 34"-54"
23	NG30021	Y-STYLE CHEST VEST 20.5"L X 12.5"W	72	NG50320	PUMP HYDRAULIC ASSEMBLY XL
24	NG30170	X-STYLE CHEST VEST 9.5"W X 9"W	73	NG50345	HIP GUIDE ASMBLY GLIDER YOUTH
25	NG30171	Y-STYLE CHEST VEST 17.5"L X 11.5"W	74	NG50374	HIP GUIDE ASMBLY GLIDER ADULT
26	NG30012	PAD SEAT CONTOURED YOUTH	75	NG50113	PUMP HYDRAULIC ASSEMBLY MEDIUM
27	NG30183	PAD SEAT ROHO YOUTH	76	NG50277	XL REAR CASTER TUBE
28	NG50318	SEAT SWIVEL LARGE	77	NG50504	CHEST STRAP 46"-46"
29	NG50324	SEAT SWIVEL YOUTH	78	NG50505	FOOT STRAPS 21"L
30	NG50209	SEAT & LIFT ASM XT	79	NG50506	SECURE FOOT STRAPS 21"L
31	NG50278	FOOT ASMBLY XT	80	NG30306	POSITIONING BELT 38"-67"
32	NG50328	HANDLE PUMP REMOVEABLE/ADJ	81	NG50262	ELECTRIC ACTUATOR ASM
33	NG50058	SEAT REAR CASTER TUBE			
34	NG50321	POW'R UP LIFT EVOLV XT			
35	NG50436	ASMBLY FOLLOWING ARM YOUTH			
36	NG50437	ASMBLY FOLLOWING ARM ADULT			
37	NG50438	ASMBLY FOLLOWING ARM XT			
38	NG50378	ASMBLY SEAT LIFT GLIDER			
39	NG50350	GLIDER SEAT ASMBLY YOUTH			
40	NG50351	GLIDER SEAT ASMBLY YOUTH ROHO			
41	NG50352	GLIDER SEAT ASMBLY ADULT			
42	NG50353	GLIDER SEAT ASMBLY ADULT ROHO			
43	NG50414	FOOT ASMBLY YOUTH			
44	NG50355	FOOT ASMBLY LG			
45	NG50391	FOOT ASMBLY LG			
46	NG50441	ASMBLY BACK REST YOUTH			
47	NG50442	ASMBLY BACK REST ADULT			
48	NG50443	ASMBLY BACK REST XT			
49	NG50444	ASMBLY EVOLV NO BACK YOUTH			

# Perfect Fit Guide

## step one - measure

Before transferring into the Evolv, measure for approximate (A) seat depth and seat to (B) foot plate settings.

⚠ **Caution:** These adjustments are only to be made while the unit is unoccupied.

## step two - seat depth

Use the above measurement (A) to adjust the seat depth on the stander, measure from the front of the seat to the back. To adjust the seat depth, loosen the knob under the seat (C). Depress the snap button on the adjustment tube while moving the back (D). Adjust the seat depth until the proper measurement has been reached. Tighten the knob (C) after adjusting.

⚠ **Caution:** The following adjustments are only to be made in the seated position.

## step three - back angle

After achieving the desired seat depth, rotate the back angle (E) adjustment knob so the (F) seat/back angle indicator is in the green area prior to standing.

*Note: Repeat steps 2 and 3 for each color adjustment.*

## step four - foot plates

Use the (B) measurement to adjust the foot plate height. Loosen the (G) ratchet handles on the foot plates to adjust height and plantar/dorsi. Tighten ratchet handles after positioning. The knees should be slightly lower than the hip (H).

## step five - positioning

Position the user's hips as close as possible to (I) Evolv's hip pivot. To determine correct positioning, only two fingers should fit between the front of the seat and the back of the knee (J).

## step six - knee pad

Adjust the (K) knee pad so it fits comfortably up to the knees.

*Inspect your standing frame periodically to ensure it is in safe operating condition.*

(A)



(B)



(C)



(D)



(E)



(F)



(G)



(H)



(I)



(J)



(K)



# Transferring

For certain individuals, transferring can be a difficult task, especially at first. Like many things, transferring gets easier with practice. With assisted transfers, it is always a good idea to review the transfer strategy with the client before transferring, and talk them through the steps as they are happening. This will help reduce anxiety for the person being transferred. There are many different methods of transferring into the EasyStand Evolv, whether the transfer is independent or with assistance. There are also a variety of options that can be added to the Evolv to help make transferring more manageable. For proper transfer techniques, please seek professional advice from a [therapist or physician](#).

**⚠ Caution:** Always lock wheel locks on a wheelchair and the casters on the EasyStand Evolv before transferring.

## Transfer Methods



**Independent Transfer:** For those individuals who are able to transfer independently, Altimate Medical has designed the Evolv base so a wheelchair can be positioned at any angle from parallel to 90 degrees against the edge of the Evolv seat (the front wheelchair caster can even come underneath the front corner of the seat). The kneepads flip up and out of the way to give the person room to bring their legs in and position their feet. The kneepad does not lock in the upright position when transferring, do not grab the kneepad for support. When transferring out of the EasyStand, pump the seat up so it is equal to or higher than the seat the user is transferring into.



**Stand Pivot Transfer:** A caregiver can assist a patient into the stander using a stand pivot transfer. The caregiver helping with the stand pivot transfer assists the person out of their wheelchair to standing, then turns or pivots and sits the person down on the seat of the stander.



**Patient Lift Transfer:** Caregivers can assist people who have a higher level of disability by using a patient lift device, or an overhead ceiling lift to transfer into the EasyStand. The rear legs of the EasyStand Evolv are designed to allow room for the lifting device to be used from many different angles. To make the transfer from a patient lift device, recline the back of the standing frame slightly. With some patient lift devices it may make the transfer easier to lift the Evolv foot plates up to a higher position, allowing the transfer device to slide closer to the base of the Evolv. Be sure to reposition the foot plates and back prior to standing.

# Standing

## Contraindications


Standing/weight bearing may not be an option for the following reasons:

If the user has severe contractures or range of motion issues

If the user has severe osteoporosis or brittle bone disease


If the user has postural orthostatic hypotension


If the user has dislocated joints

 **Caution:** Consumers considering a standing program should consult with a qualified physician and medical team to determine what indications or contraindications exist. Clinicians must use best clinical judgment to evaluate the user's needs.


Implementing a standing program must be determined on an individual basis by the user's team (Physician, Physical or Occupational Therapist, Rehab Technology Professional/Supplier and the consumer). Consider all indications and contraindications for each client individually to determine if standing/weight bearing is appropriate for them.

## To Stand

 **Caution:** Always consult with a physician or therapist before starting a standing program.


 **Caution:** Before standing, the seat/back angle indicator must be in green. Failure to set the back angle in green prior to standing could cause the unit to lock in a standing position, causing damage to the unit. Do not use the seat angle dial indicator as a reference while in the standing position. **It is only to be used as a guide while adjusting the seat depth and back angle in the seated position.**

Position feet, the knee support, and secure any straps or side supports. Push the pump handle forward with 15-25 long strokes. The seat will slowly rise to the standing position. Remember the seat can be stopped anywhere between sitting and standing.

 **Caution:** Never make adjustments to the EasyStand while a user is in the standing position.

## Return to the Seated Position

Move and hold the pump handle toward the rear until the desired position is reached. The seat will slowly lower until the handle is released. If difficulty lowering the seat occurs, apply less or more pressure to the handle. If the unit is in the standing position and unoccupied, apply moderate pressure to the seat of the unit while holding the pump handle back. Do not use excessive force.

 **Caution:** When lowering the unit from standing to sitting, keep all hands and feet clear of the mechanism beneath the seat.



# Maintenance

- Check the EasyStand at least weekly to ensure all nuts, bolts and adjustable parts are tightened securely, failure to do so may result in parts falling off which may cause a choking hazard for children.

## Cleaning/Disinfecting

- Clean the EasyStand Evolv with a mild, non-abrasive disinfectant or soap and water.
- Do not use bleach or any other bleach-based cleaners on the EasyStand.
- Disinfecting wipes are safe to use on metal and non-porous surfaces.
- Use a damp sponge with mild soap or a mild, non-abrasive disinfectant.
- Spot clean Neoprene with mild soap and water.
- Neoprene covers may be removed and hand washed with water. Air dry the covers. Always use care when removing and replacing the covers.
- Do not dry clean any upholstery items.
- If the EasyStand is being used with one user, clean the EasyStand on a monthly basis or as needed
- If the EasyStand is being used in a multiple user environment, the EasyStand should be cleaned after each use.

## Urethane Coated Fabrics (Dartex or generic equivalent)

- The recommended cleaning and disinfection instructions should be followed whenever possible to avoid damage to the PU membrane which could lead to premature failure of the cover.
- For superficial dirt, use a disposable wipe and a warm solution of neutral detergent. Do not use abrasive cleaners.
- Disinfect using a 0.1% sodium hypochlorite solution (1000ppm chlorine), stronger bleach solutions not recommended.
- Thoroughly rinse any remaining cleaning solution with water and dry fabric before re-use or storage.
- Do not iron.

## Hydraulic Actuator Maintenance

- An initial break-in period of approximately 50-100 full cycles is normal for the hydraulic unit. The very close fit of its mating parts gives each pump its own break-in "feel" and signature sound, signaled by a squeaking or a less-than-smooth stroke.
- If the pump is leaking oil or not holding properly contact your local EasyStand Supplier for a replacement. The serial number on the EasyStand will be needed.
- Do not exert excessive force on the pump handle or use the pump handle to move an EasyStand. This may cause damage to the pump handle and/or the pump mechanism and will void any warranty.
- User maintenance is not required or recommended on the hydraulic pump. Never apply lubricant, household oil, grease, or a similar product to any part of the unit. Some compounds may react with the seals used in the manufacture of this product. This may damage the unit and will void any warranty.
- Do not exceed the rated weight limit.
- If the EasyStand was shipped and exposed to a temperature of less than 50 degrees Fahrenheit, the hydraulic unit must warm to room temperature before use. Failure to follow this step could damage the unit and render it inoperable.
- Once the standing position is reached, the pump may settle back one stroke, this is normal.
- It is not always necessary to push the pump handle all the way back to lower the seat. Try pushing the handle back in different positions if it is difficult to lower the seat.
- If the unit is in the standing position and unoccupied, it is necessary to apply pressure to the seat of the unit while pushing the pump handle back.

## Purging The Hydraulic Actuator

The hydraulic pump on the EasyStand has a high probability of getting air trapped in the internal workings of the unit. This is usually caused by in-transit handling and is quite normal. Please follow the simple steps below, as manual hydraulic systems may never operate properly unless the entrapped air is correctly purged. The unit must be at room temperature for this procedure.

1. Pump the handle until the full extension is reached.
2. Now continue pumping the handle slowly for an additional 10 strokes. This will properly purge the system.

# Troubleshooting

## **My EasyStand will not go into the full standing position:**

As of June 2011 the EasyStand (manual hydraulic pump only) is equipped with a safety feature to prevent over travel of the lifting/following arm mechanism in the event the back angle is improperly adjusted to exceed the recommended angle. The unit will not reach full standing unless the back angle is adjusted within the green range at the seated position. Refer to p. 29 for proper instructions.

## **My EasyStand will not release properly from the standing to the seated position:**

- Try pushing the handle back into different positions; do not push the pump handle back hard into one position.
- Weight on the seat is needed for the unit to descend properly; if the unit is unoccupied or the user is leaning forward and not enough weight is distributed on the seat, apply pressure by hand to the back of the seat while pushing back on the pump handle.
- Ensure the back angle is adjusted properly, if the back angle is too far forward or back the unit may not descend properly. Adjust the back angle toward 90 degrees so it will release properly.

## **My hydraulic does not work smoothly, it is not leaking oil but acting inconsistent:**

With the unit unoccupied, pump it all the way to standing. Once the seat is in the standing position, pump 12 to 15 additional strokes to bleed any air out and circulate fluid. Pull back on the pump handle to return the seat to a seated position, one may apply pressure with a hand to the back of the seat while pushing back on the pump handle. In most cases purging the hydraulic pump will eliminate inconsistent operation.

## **My lower leg length is too short for the stander:**

Evolv Large: Replace large foot brackets with medium foot brackets.

## **My Evolv seat won't go all the way down to the seated position:**

Look closely at the four main frame bolts that attach the front end to back end. Most commonly the kidney shaped pump mount brackets are not secured correctly. They are positioned above the frame bolts with an exposed hole where the bolts should go through. This angles/raises the pump and won't allow the unit to go to the complete seated position. Remove main bolts and make sure they go through both the front frame, the back frame and the pump mount brackets.

## **Evolv Pow'r Up Lift:**

Make sure the cords are fully seated in the battery box. The grommet ring on the cords make it a very tight fit. Unplug the cords and plug them back in, pushing hard.

## **Evolv with Swing-Away:**

Remove quick pin and simply lift the collar on the opposite side past the frame and swing out.

## **Shadow Tray is not level:**

If Shadow Tray is leaning forward or back, adjust the back angle. If the tray is leaning from right to left, adjust the set screw on the support arm to level the support arm.

## **How to use the rotating seat:**

Push up on the lever under the seat and rotate the seat right or left 90° or until it locks into position. Transfer to seat and push up on the lever to unlock and rotate to a forward position.

## **How can I tell if I have an Evolv Medium or Large/XT:**

Measure the seat. Front to Back: XT/Large is 22"; Medium is 18"

## **How do I order parts:**

Contact a local supplier and have the serial number ready. If the local supplier is unknown, call Altimate Medical Customer Service, (800) 342-8968, and have the serial number ready.

# Limited Warranty

This warranty is extended only to the original purchaser/customer (or supplier non consumer who does not buy or resell). Altimate Medical, Inc., warrants the EasyStand Evolv against defects in materials and workmanship as listed below.

- Steel Frames - 5 year warranty
- Hydraulic Actuator - 2 year warranty
- Upholstered components, plastic pads, rubber parts, painted surfaces, bearings and other parts not specifically identified above - 90 day warranty

Warranty on Electric lift option components is as follows:

- Actuator & Hand Pendant – 2 year warranty
- Control Box & Battery – 90 days
- Battery Charger – 90 days

The warranty period commences on the original ship date from Altimate Medical. Any product proven to Altimate Medical satisfaction to be defective and within warranty period, shall be repaired or replaced at Altimate Medical's option.

ALTIMATE MEDICAL SOLE OBLIGATION AND YOUR EXCLUSIVE REMEDY UNDER THIS WARRANTY SHALL BE LIMITED TO SUCH REPAIR AND/OR REPLACEMENT. This warranty does not include any labor charges incurred in replacement parts installation. Freight charges to factory are at the expense of consumer to seller. Return freight charges will be prepaid by Altimate Medical. For warranty service, please contact the authorized supplier from whom you purchased your Altimate Medical product. In the event you do not receive satisfactory warranty service, please write directly to Altimate Medical at the address below. Do not return products to our factory without prior authorization.

LIMITATIONS AND EXCLUSIONS: The foregoing warranty shall not apply to serial numbered products if the serial number has been removed or defaced. Products subject to negligence, abuse, misuse, improper operation, improper maintenance, improper storage, or damages beyond Altimate Medical's control are not covered by this warranty, and that evaluation will be solely determined by Altimate Medical. Products modified without Altimate Medical's express written consent (including, but not limited to, modification through the use of unauthorized parts or attachments) are not covered by this warranty. The warranty shall not apply to problems arising from normal wear or failure to follow instructions. The warranty will be void if parts not manufactured by Altimate Medical or parts not complying with original equipment specifications are added to an Altimate Medical product.

THE FOREGOING WARRANTY IS EXCLUSIVE AND IN LIEU OF ALL OTHER EXPRESS WARRANTIES. ALTIMATE MEDICAL SHALL NOT BE LIABLE FOR ANY CONSEQUENTIAL OR INCIDENTAL DAMAGES WHATSOEVER.

Altimate Medical maintains a policy of continual product improvement and reserves the right to change features, specifications, and prices without prior notification. Check with Altimate Medical for latest information.

Altimate Medical, Inc., 262 W. 1st St., Morton, MN 56270 USA  
Phone: 507•697•6393 Fax: 507•697•6900 800•342•8968  
easystand.com info@easystand.com

## Environmental Issues

After life of the product:

- Recycle in accordance with the recycling codes of your country.
- Recycle all metal parts.
- Plastic parts should be disposed of or recycled according to the directive in your country.
- Please inquire at your local disposal management and recycling center for local codes.
- Return hydraulic actuator or damping cylinder (Pow'r Up only) to Altimate Medical, Inc.



# AltimateMedical

262 West 1st St.

Morton, MN 56270 USA

Toll Free: 800.342.8968 or 507.697.6393

Fax Free: 877.342.8968 or 507.697.6900

email: [info@easystand.com](mailto:info@easystand.com)

[easystand.com](http://easystand.com)

**EasyStand**  <sup>®</sup>   
standing made easy



Standing technology should only be used under the guidance of a physician with recommendations for standing program protocol and any medical precautions. Standing programs should be monitored by the attending therapist. Altimate Medical maintains a policy of continual product improvement and reserves the right to change features, specifications, and prices without prior notification. Check with Altimate Medical for latest information. FORM MANAEVM 022519 REV D Copyright © 2019 Altimate Medical, Inc. All rights reserved. Printed in the U.S.A.