



TRAK



USER MANUAL

CHAIR PROVIDER: THIS MANUAL MUST BE GIVEN TO THE USER OF THIS DEPENDENT MOBILITY BASE

USER: READ THIS MANUAL BEFORE USING THIS DEPENDENT MOBILITY BASE AND SAVE FOR FUTURE REFERENCE

Product delivered may vary from the one described and pictured in this manual.

You have made a great choice for your child by choosing a Leggero chair. We believe that every child should be able to function to the best of their ability. We welcome questions and comments about our products and services. Please contact us or an authorized provider using the information below.

Leggero
 174 D Shepherd Trail
 Bozeman, MT 59718
 Toll Free: 1-844-503-KIDS
 www.leggero.us

Authorized Leggero Provider:

Provider Name	
Address	
Phone	
Email	
Website	

Authorized European Representative:

EC	REP	MDSS GmbH Schiffgraben 41 30175 Hannover, Germany	
-----------	------------	---	--



Table of Contents

	Page
Section 1: Introduction & Features	
1.1 Introduction	4
1.2 Intended Trak User	4
1.3 Intended Trak Attendant	4
1.4 Terms of Warranty	4
1.5 Service & Repairs	4
1.6 Features	5
1.7 Seating & Positioning Components	6
1.8 Adjustability & Specifications	7
Section 2: Warnings	8
Section 3: Unpacking Trak Chair	11
Section 4: Operation and Adjustment	12
4.1 Wheel Locks	12
4.2 Handlebar Angle Adjustment	13
4.3 Knee Angle Adjustment	13
4.4 Hip Angle Adjustment	13
4.5 Tilt Adjustment	14
4.6 Folding and Unfolding	14
4.7 Footbed Height Adjustment	15
4.8 Footbed Angle Adjustment	16
4.9 Back Height Adjustment	16
4.10 Seat Depth Adjustment	17
4.11 Armrest Adjustment and Removal	17
4.12 Positioning Tray Use	18
4.13 Caster Swivel Locks	18
4.14 Seat Extension Installation	19
4.15 Using the Trak as a Seat in a Motor Vehicle	20
4.16 Respond Seating	21
4.17 IV Pole Adjustment	22
4.18 O2 Holder Installation and Removal	22
4.19 Equipment Tray	23
4.20 LTV Bracket for LTV950	23
Section 5: Limited Warranty	24
Section 6: Maintenance and Maintenance Record	25



Section 1: Introduction, Warnings, & Features

1.1 Introduction

Thank you for selecting the Trak chair. This manual explains how to operate, adjust, and maintain your Trak chair. The product as described is subject to technical alterations without notice.

We are sorry that we cannot offer this user information in a format, appropriate for use by visually impaired people. The visually Impaired must contact an authorized Leggero provider to obtain information and instruction in the form of verbal communication and hands on training if necessary.

1.2 Intended Trak User

Rehab pushchairs and pediatric positioning systems are appropriate for children who are limited to a seated position and require mobility and positioning assistance. Individuals who need such assistance can have a wide variety of diagnosis limiting their ability to achieve mobility without such a system. For maximum occupancy rating and additional specifications, reference section 1.7 of this manual.

1.3 Intended Trak Attendant

Attendants who operate the chair must be visually, mentally, and physically capable of safely operating the chair under all circumstances. Attendants must read and follow all instructions provided in this manual.

1.4 Terms of Warranty

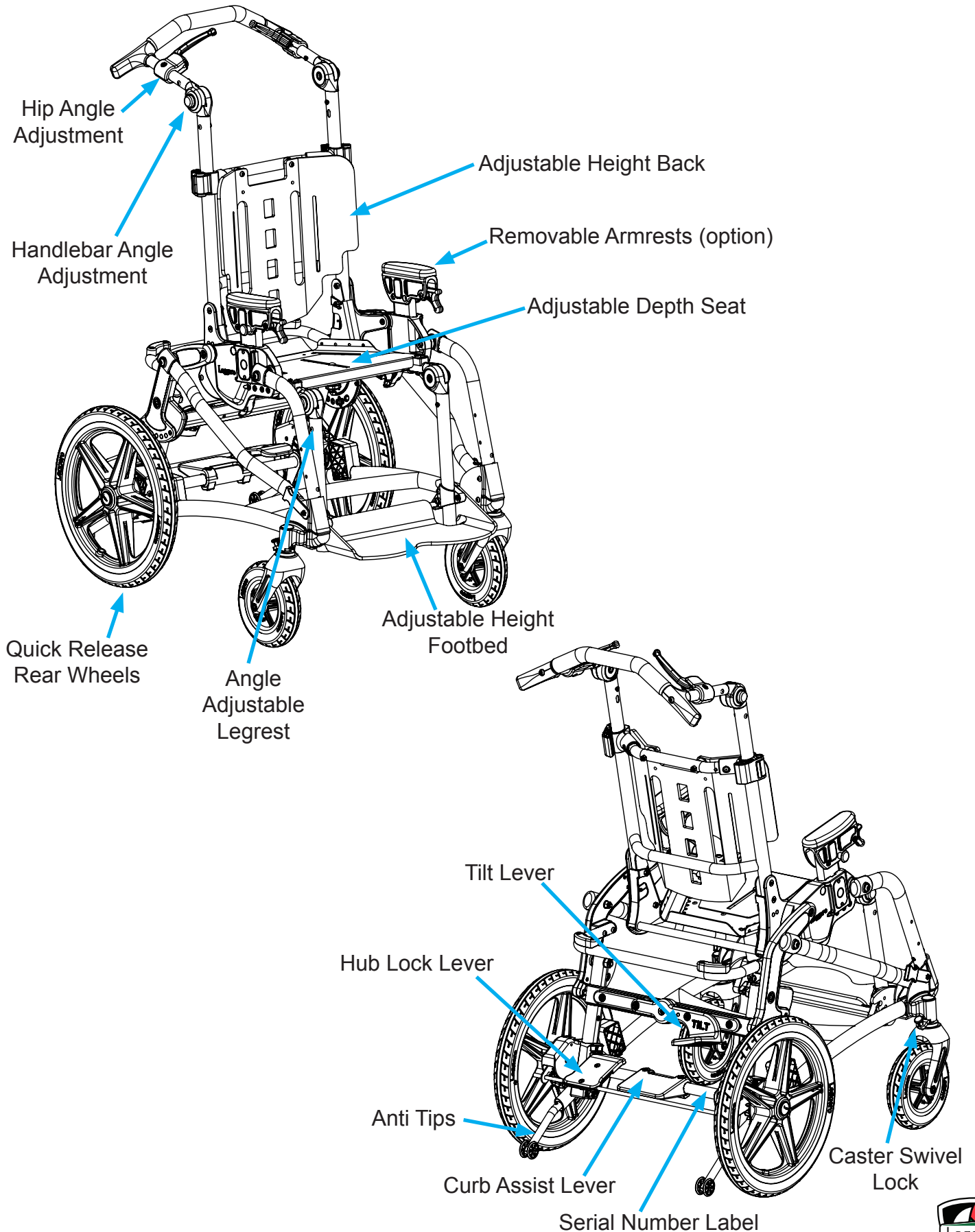
Warranty applies only when the product is used in concordance with the manufacturer's recommendations and for the intended purposes and specified conditions of the product. See section 5 for complete warranty information.

1.5 Service and Repairs

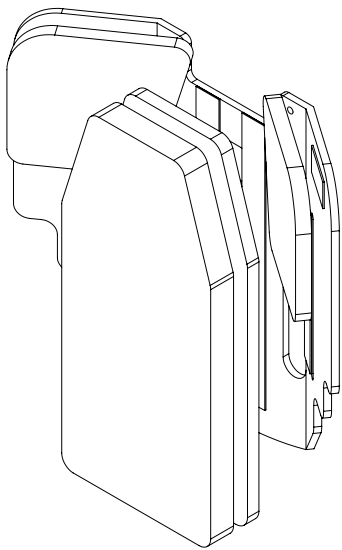
Service and repair of the Trak chair should be performed only by Leggero authorized providers. Should any problems arise, please contact the provider that supplied the chair. Authorized providers only replace and install original Leggero replacement parts.



1.6 Features

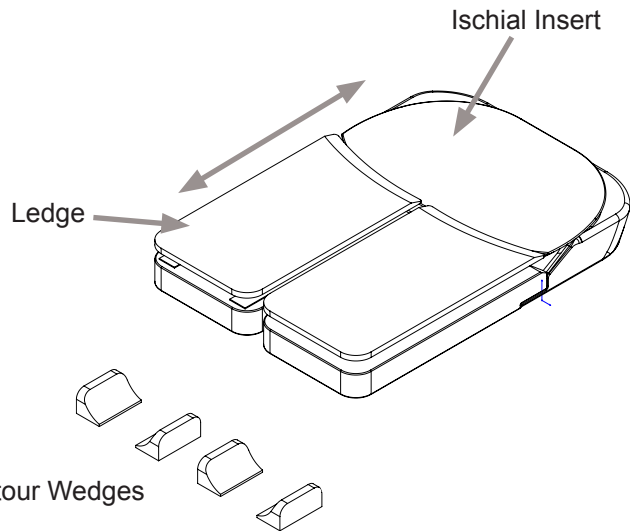


1.7 Seating & Positioning Components



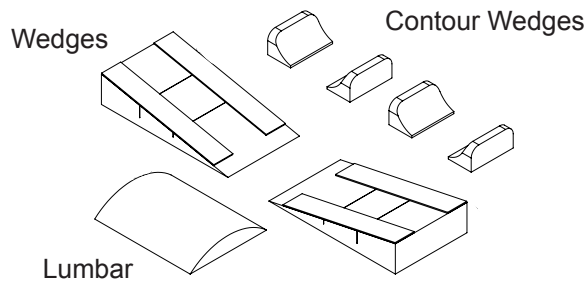
Respond Back Cushion

See Section 4.16 for Detailed Information

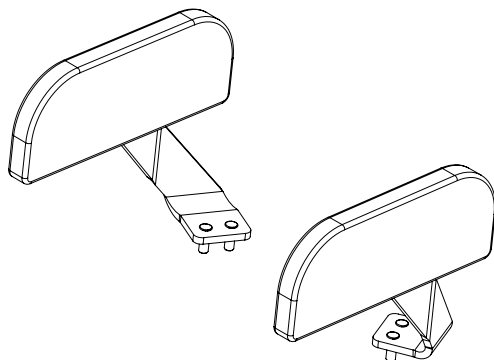


Respond Seat Cushion

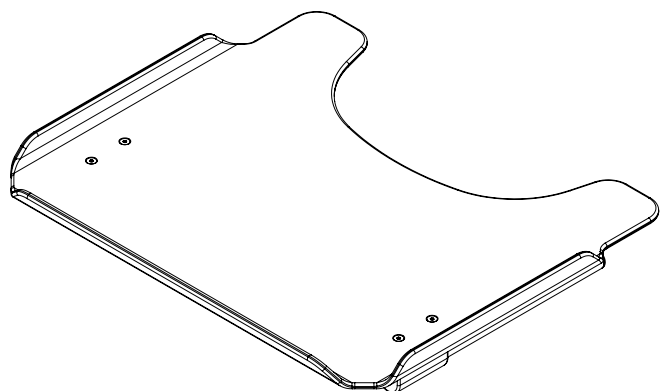
See Section 4.16 for Detailed Information



Extra Positioning Wedges Kit



Lateral Pelvic Supports



Positioning Tray



1.8 Adjustability and Specifications

Specifications & Adjustability Range

	<i>Trak 12</i>	<i>Trak 14</i>
Weight Limit	80 lb / 36 kg	80 lb / 36 kg
Seat Depth	6.5-15 in / 17-38 cm	6.5-15 in / 17-38 cm
Seat Width	6-12 in / 15-30 cm	8-14 in / 20-36 cm
Back Height	12-19 in / 30-48 cm	13-19 in / 33-48 cm
Seat to Footplate	4-17 in / 10-43 cm	4-17 in / 10-43 cm
Tilt Range	45°	45°
Hip Angle Positions	90°, 105°, 120°	90°, 105°, 120°
Maximum Safe Slope	5°	5°
Overall Width	22.5 in / 57 cm	24.5 in / 62 cm
Push Handle Height	40-50 in / 101-127 cm	40-50 in / 101-127 cm
Overall Length	35 in / 89 cm	35 in / 89 cm
Caster Diameter	7 in / 18 cm	7 in / 18 cm
Rear Wheel Diameter	16 in / 41 cm	16 in / 41 cm
Weight of Chair	29 lb / 13 kg	29 lb / 13 kg
Folded without Rear Wheels	35 x 17 x 22.5 in 89 x 43 x 57 cm	35 x 17 x 24.5 in 89 x 43 x 62 cm
Folded with Rear Wheels	36 x 21 x 22.5 in 92 x 51 x 57 cm	36 x 21 x 24.5 in 92 x 51 x 62 cm

Section 2: Warnings

Read this Manual Completely Before Using

All caregivers and/or attendants must read this user manual prior to operating the Trak chair. Familiarize yourself with the handling and functions of the product prior to actual use. If there is any information in this manual that you do not understand, please contact your authorized Leggero provider for assistance.

Failure to follow instructions or comply with warnings within this manual could result in personal injury and/or damage to the Trak chair, potentially voiding the warranty.

Symbols Used on Product Warning Labels and in User Manual



WARNING!

The word “WARNING” or this symbol indicate practices that are unsafe or dangerous and could result in serious injury to the occupant and/or caregiver.



WARNING! READ INSTRUCTION MANUAL

Choose The Right Chair & Safety Options

In the mobility industry, there are several options available to meet the needs of children. Make sure that your (and your provider’s) choice of chair and other options takes into account your child’s comfort, positioning, physical limitations, and hazards that may be encountered during daily use.

Warnings: Failure to Follow These Warnings Could Result in Serious Injury or Death

WARNING! All caregivers and/or attendants must read this user manual prior to operating the Trak chair. Familiarize yourself with handling and functions of the product prior to actual use. If there is any information in this manual that you do not understand, please contact your authorized Leggero provider for assistance.

WARNING! Non-conventional use and/or handling of the product can be dangerous. The pushchair is not suitable for jogging, running, skating, or similar activities. Swiveling front wheels can wobble at higher speed and can cause a sudden stop and tip over of the chair. Use the pushchair only at regular walking speed. Under no circumstance should you let go of the handlebar while pushing. Do not ever push the chair away.

WARNING! The initial set up of this pushchair must be performed by a qualified technician.

WARNING! Procedures other than those described in this manual must be performed by a qualified technician.

WARNING! The weight carried by the Trak chair must not exceed the total weight limit (Maximum occupant weight plus weight of accessories and/or items carried.)

WARNING! Adjustments made to the chair may affect stability, increasing the risk of tipping. Adjustments must be made by your authorized Leggero provider.

WARNING! Avoid getting the chair wet or storing the chair in damp environments. Excess moisture can cause rust or corrosion, which can result in component failure. If the chair is exposed to moisture, dry thoroughly.

WARNING! Do not leave the chair or child in the sun or near other heat sources since the surfaces on the chair may reach temperatures capable of burning the child. Do not leave the chair or child outside in cold temperatures because contact with a chair in temperatures below freezing could result in injury. Damage to the chair may also result from exposure to extreme hot or cold temperatures.

WARNING! The chair should only be used on solid and level ground. Do not attempt to push the chair over or into obstacles. Always remove the child from the chair when lifting chair to clear obstacles.

WARNING! Do not use the chair on slopes steeper than 5 degrees. Do not leave the chair parked on a slope or an incline. Pay particular attention when on slopes and inclines to prevent the child from falling out of the chair, the chair from tipping over, or the chair from rolling away.

WARNING! Before leaving the chair and before getting into and out of it, always engage the wheel locks. Do not use the wheel locks to stop the chair while moving.

WARNING! Never leave your child unattended in the chair even if they are strapped in and the wheel locks are engaged.

WARNING! If the chair occupant reaches for objects in front, to the side, or behind the chair, be sure that they do not lean too far. The shift in the center of gravity might cause the chair to tip over.

WARNING! If equipped with pneumatic tires, the handling of the chair is influenced by tire pressure. Correctly inflated tires considerably improve its maneuverability. Front and rear tire air pressure should be at least 35 PSI/240 kPa.

WARNING! Be aware that with certain footrest settings the footrest can collide with the front casters.

WARNING! Do not stand on the footplate when transferring into or out of the chair.

WARNING! While chair is occupied, never attempt to adjust hip angle and tilt angle simultaneously. Adjustment of hip angle while tilting chair could result in chair moving into partially folded state, which could injure the occupant.

WARNING! When folding the chair, be aware that there is a risk of injury through fingers becoming crushed or trapped. Reference section 4.6 of this manual for further information.

WARNING! The chair is only intended to carry one child at a time. Do not carry more than one child at a time.

WARNING! Only lift the chair by parts that are solidly attached. The chair should be lifted by the side frame members whenever possible. If folded, hold the chair by the lower side frame tubes. Always use two people for lifting to prevent injury and damage to the chair.

WARNING! Keep packaging material away from children. Discard all plastic packaging material immediately after unpacking.

WARNING! If your chair is not equipped with the transit option, do not use it as a seat in a motor vehicle. Transfer the child from the chair to an approved motor vehicle seat. If your chair is equipped with the transit option, refer to the section 4.15 in this manual.

WARNING! The chair must be inspected and maintained per the chart in Section 6: Maintenance. Problems detected must be repaired prior to resuming use of the chair.

WARNING! Many of the fasteners used to construct the Trak chair consist of a bolt with a nut that contains a nylon lock ring. These connections must be maintained and secured with the original equipment fasteners and properly adjusted. For proper adjustment of pivot points, consult your authorized service provider.



Section 3: Unpacking the Trak Chair

1. Remove chair from packaging.
2. Discard all plastic packaging materials.
3. Install front casters, reference Figure 1.
4. Install rear wheels, reference Figure 2.
5. Check for proper adjustment of quick release axles by pulling outward on wheel. Wheel should hold in place.
6. Engage wheel locks, reference section 4.1 of this manual.
7. Install anti-tips, reference Figure 3.
8. Unfold frame and seat back, reference Section 4.6 of this manual.
9. If chair is equipped with pneumatic tires, check tire pressure. Tire pressure should be 35 PSI/240 kPa

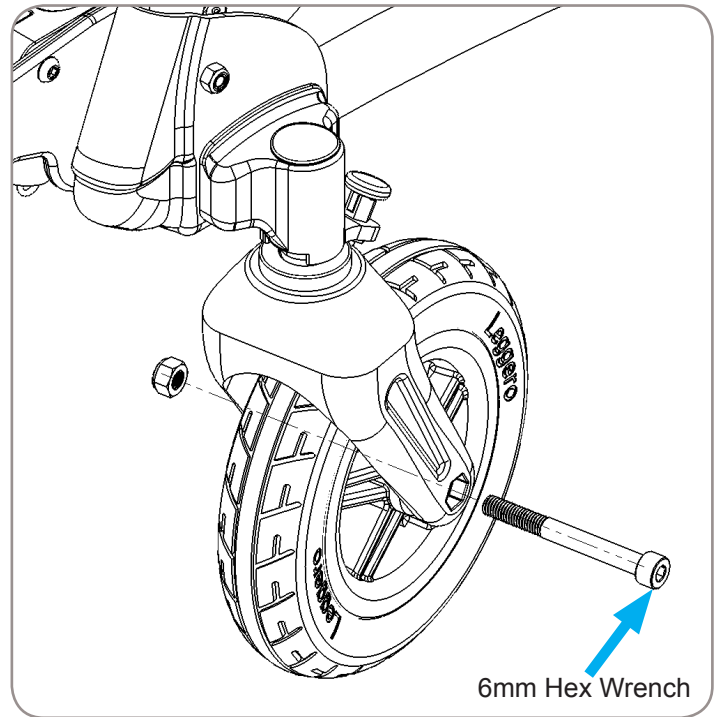


Figure 1

WARNING! Please keep packaging material away from children. Discard all plastic packaging material immediately after unpacking.

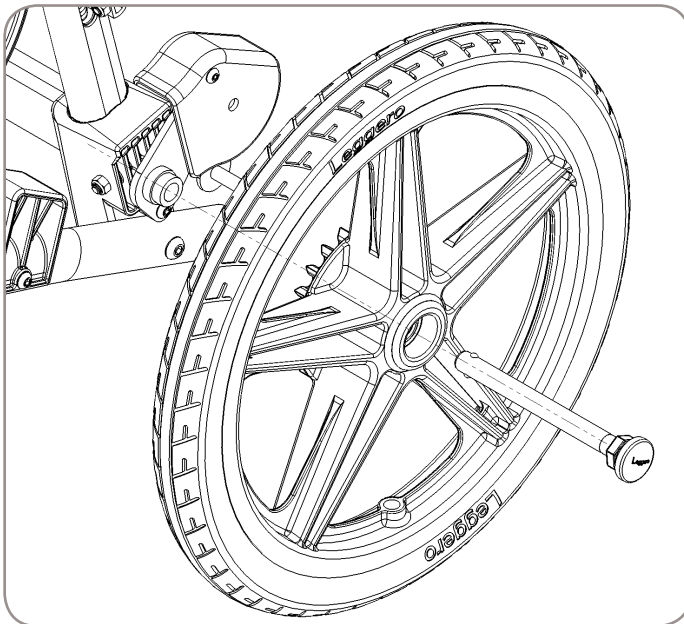


Figure 2

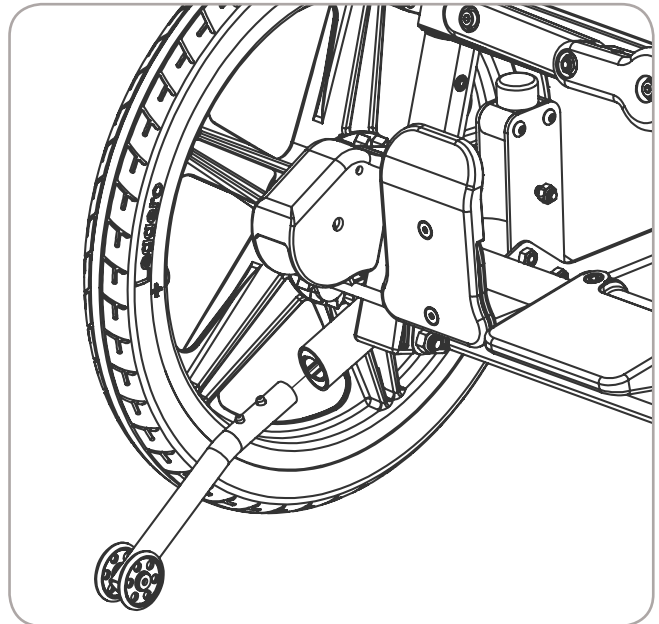
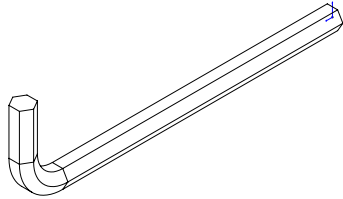


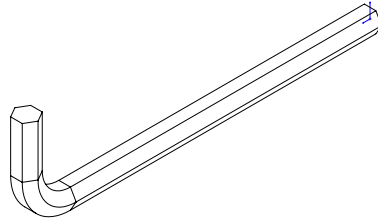
Figure 3

Section 4: Operation and Adjustment

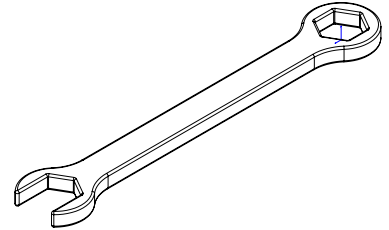
Tools Required:



4mm Hex Wrench



5mm Hex Wrench



10mm Wrench

4.1 Wheel Lock Operation

1. To engage wheel lock, push down on red pedal. Reference Figure 4.
2. Verify wheel locks are engaged on each side by slightly moving chair front to back.
3. To disengage wheel lock, push forward on top of the red pedal Reference Figure 5.

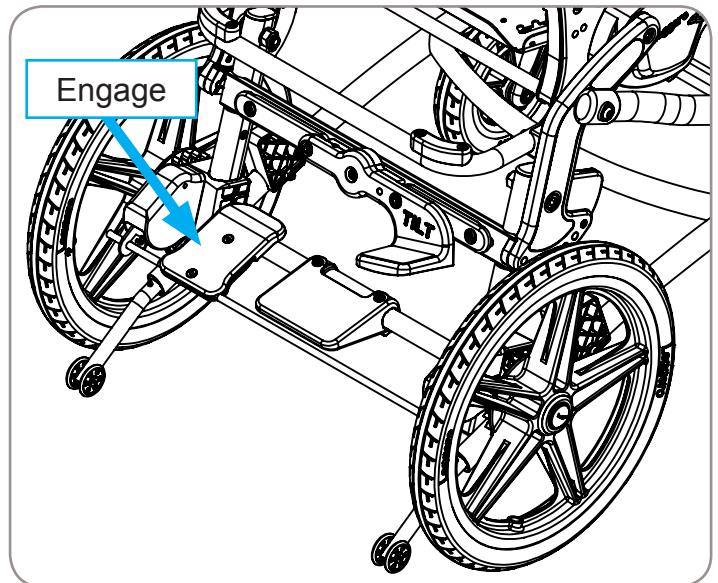


Figure 4

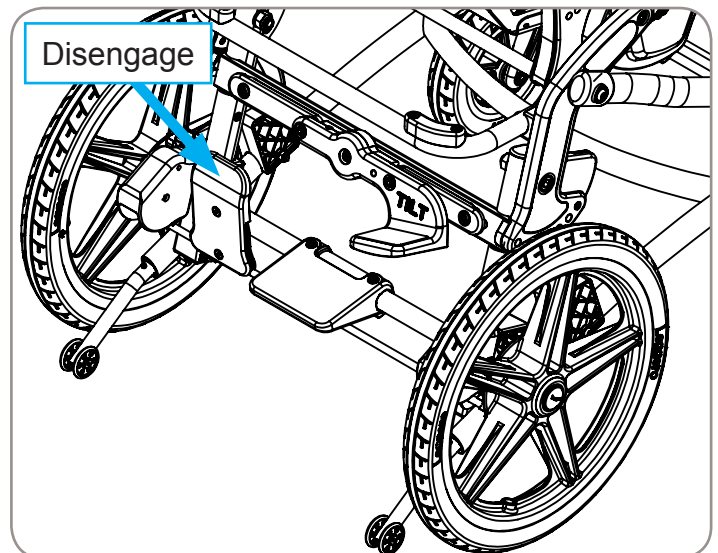


Figure 5

4.2 Handlebar Angle Adjustment

1. Press and hold buttons on outside of each adjustment ratchet, reference Figure 6.
2. Adjust handlebar to desired angle.
3. Release buttons.

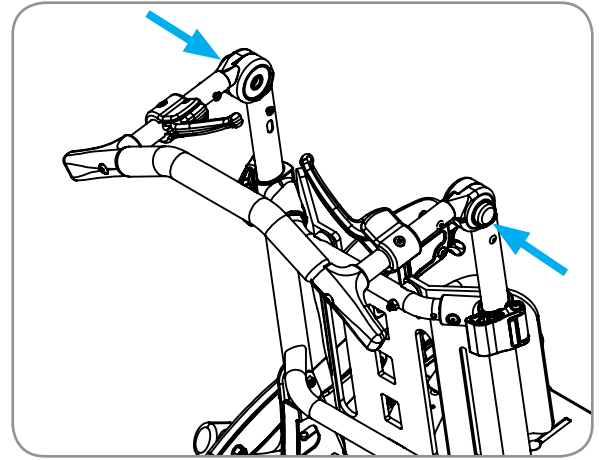


Figure 6

4.3 Knee Angle Adjustment

1. Press and hold buttons on outside of each adjustment ratchet, reference Figure 7.
2. Adjust knees to desired angle.
3. Release buttons.

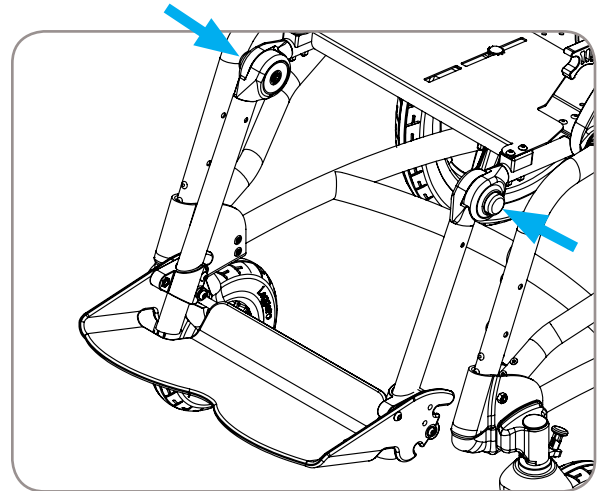


Figure 7

4.4 Hip Angle Adjustment

1. Engage wheel locks.
2. Pull back left and right hand levers, reference Figure 8.
3. Adjust hip angle to desired position and release hand levers.
4. Make sure hip angle position is properly engaged. Test by applying upward and downward force on the handlebar.

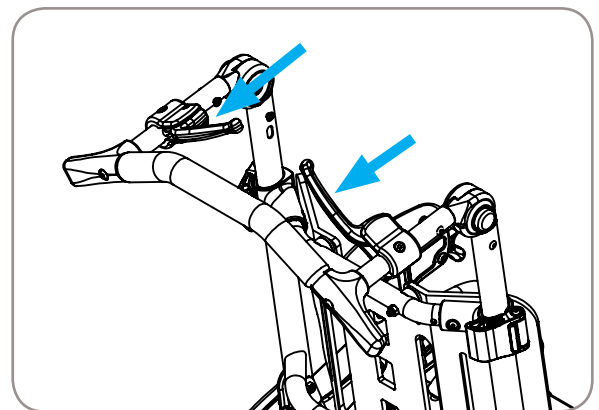


Figure 8

WARNING! While chair is occupied, never attempt to adjust hip angle and tilt angle simultaneously. Adjustment of hip angle while tilting chair could result in chair moving into partially folded state, which could injure occupant.

4.5 Tilt Adjustment

1. Engage wheel locks.
2. Place both hands on handlebar.
3. Using your foot, push down on tilt adjustment foot lever.
4. Adjust seat tilt angle to desired position.
5. Release foot lever.
6. Before releasing handlebar, push up and down to ensure that seat frame is securely locked into position.

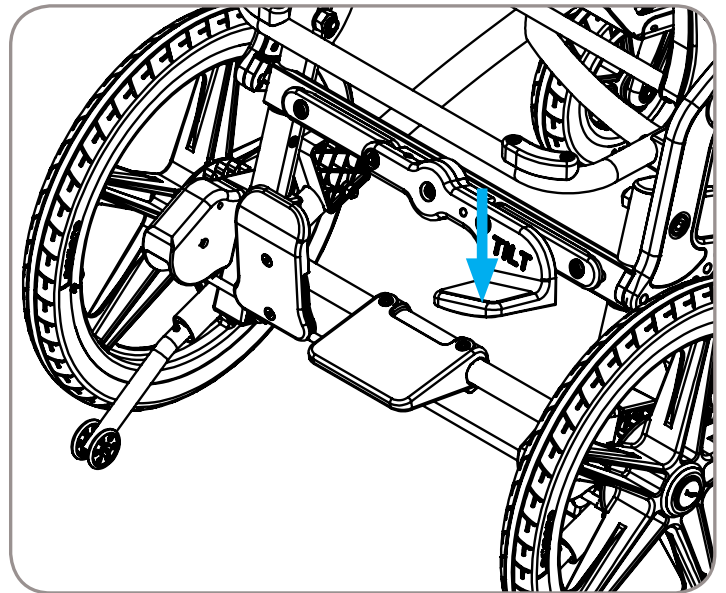


Figure 9

WARNING! While chair is occupied, never attempt to adjust hip angle and tilt angle simultaneously. Adjustment of hip angle while tilting chair could result in chair moving into partially folded state, which could injure occupant.

4.6 Folding and Unfolding

1. Engage wheel locks.
2. Pull back on hip angle adjustment mechanisms **1** and hold.
3. Use foot to push down tilt adjustment foot lever **2**
4. Push handlebar forward **3** until chair folds.
5. To unfold, grab handlebar and pull backrest rearward until the seat frame locks into position.
6. Engage the back assembly into the most upright hip angle position.
7. Adjust to desired tilt position.
8. Adjust to desired hip angle position.

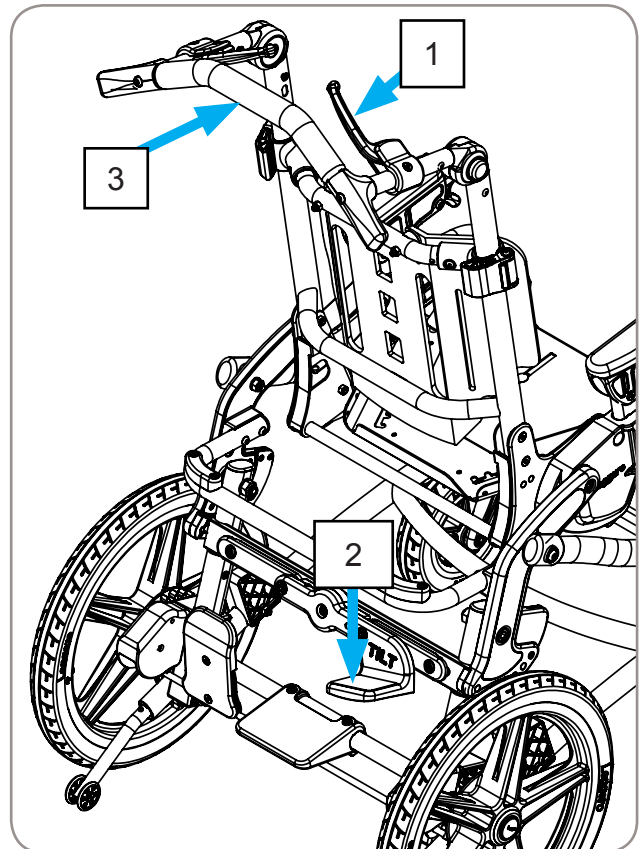


Figure 10

4.6 Folding and Unfolding Continued

WARNING! When folding or unfolding, keep arms, hands, and feet clear of moving components to avoid injury. Reference Figure 11, arrows indicate potential pinch points.

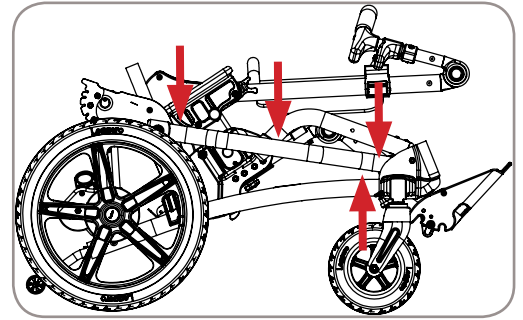
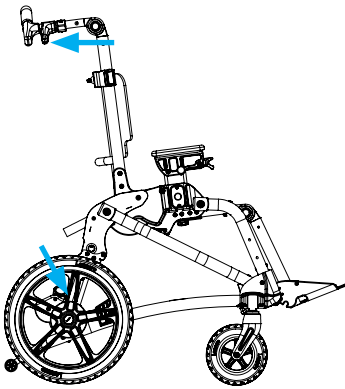
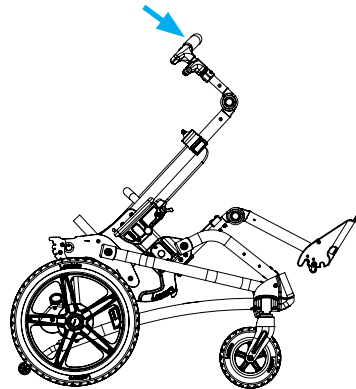


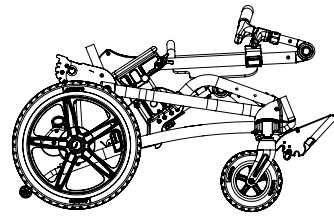
Figure 11



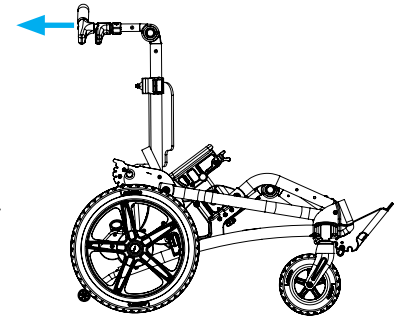
Pull Hip Angle Hand Levers and Depress Tilt Foot Lever



Push Back Forward



Trak in Folded Position



Unfolding

4.7 Footbed Height Adjustment

Optional Angle Adjustable Footbed:

1. Loosen bolts on inside of clamps with 4mm hex wrench, 2 bolts per side. Reference Figure 13.
2. Adjust footbed to desired height.
3. Tighten bolts.

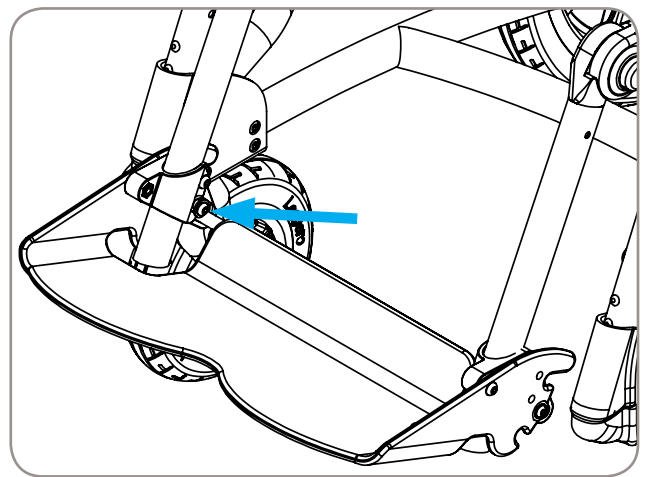


Figure 13

Standard Height Adjustable Footbed:

1. Loosen bolts/nuts on clamps with 4mm hex wrench and 10mm wrench, 2 bolts/nuts per side. Reference Figure 14.
2. Adjust footbed to desired height.
3. Tighten bolts/nuts.

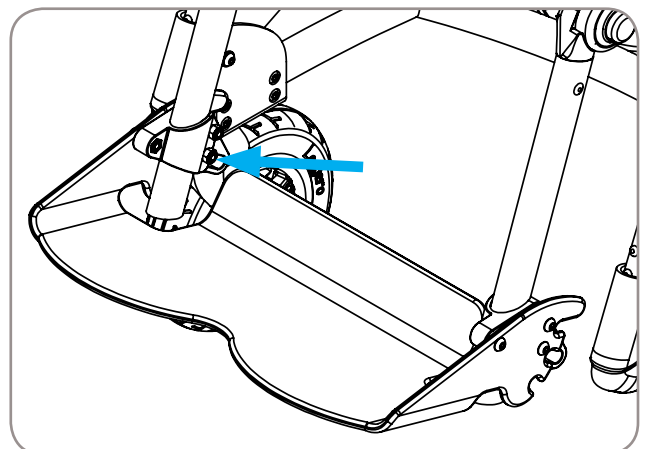


Figure 14

4.8 Footbed Angle Adjustment

Optional Angle Adjustable Footbed Only

1. Grab center of adjustment bar and pull rearward, Reference Figure 15.
2. Rotate footbed to desired position.
3. Release adjustment bar.
4. Check that adjustment bar is fully engaged in footbed slot by lifting up and pushing down on front of footbed.

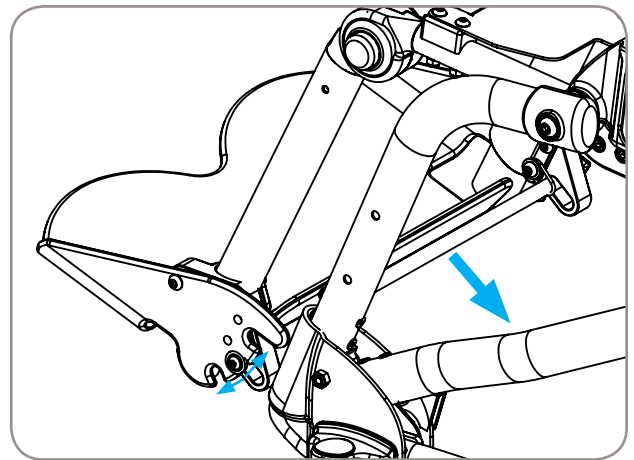


Figure 15

4.9 Back Height Adjustment

1. Pull back height adjustment levers outward, reference Figure 16.
2. Adjust back height to desired position.
3. Push back height adjustment levers inward until they snap into locked position.

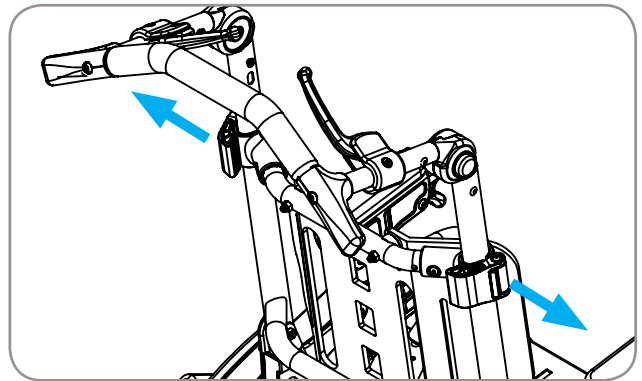
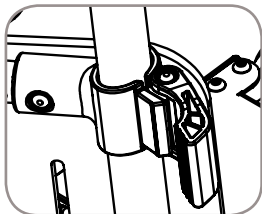
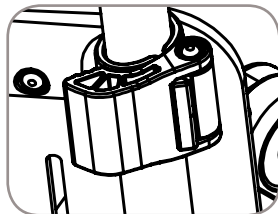


Figure 16



Unlocked



Locked

To adjust back height higher than 17", it will be necessary to adjust the pack plate position.

1. Remove back cushion.
2. Remove bolts that attach back plate to cross-tube with 4mm hex wrench and 10mm wrench. Reference Figure 17.
3. Reinstall plate with bolts through lower holes in back plate. Reference Figure 18.
4. Reinstall back cushion.

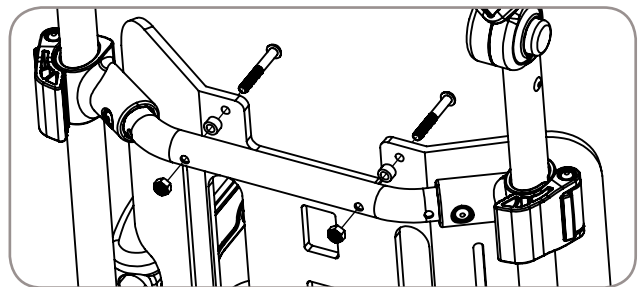


Figure 17

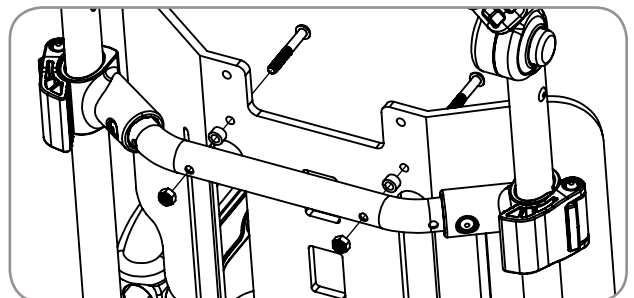


Figure 18

4.10 Seat Depth Adjustment

1. Loosen seat cushion straps.
2. Loosen knob under center of seat plate.
3. Adjust front seat assembly to desired depth.
4. Tighten knob.
5. Tighten seat cushion straps.

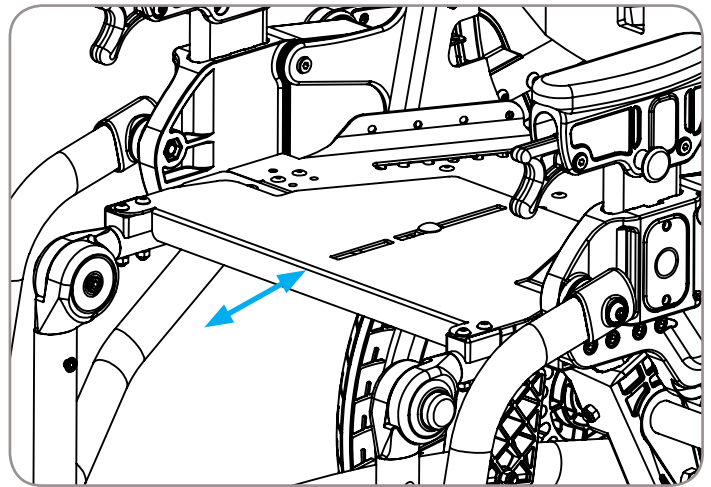
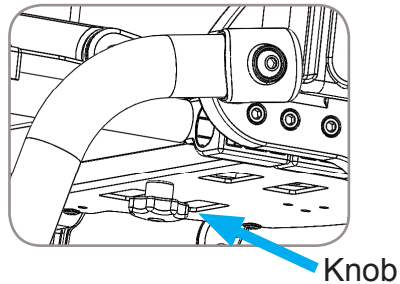


Figure 19

4.11 Armrest Adjustment & Removal

1. To adjust height, push in button **1** and adjust armrest up or down. Release button to lock in place.
2. To remove armrest, push in button **1** and pull armrest assembly upward out of receiver.
3. To reinstall, push armrest back in until it clicks into place. Adjust downward if needed.
4. To adjust angle, pull plunger **2** outward and rotate front of armrest downward. Release plunger and ensure that it locks into position

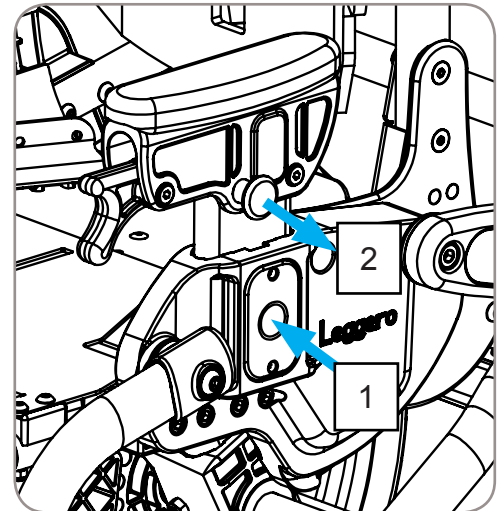


Figure 20

4.12 Positioning Tray Use

1. Adjust armrests/tray receivers to desired angle.
2. Swing left and right tray cam locks downward.
Reference Figure 21.
3. Slide tray into receivers and adjust to desired depth.
4. Swing left and right tray cams upward to lock in place.
Reference Figure 22.

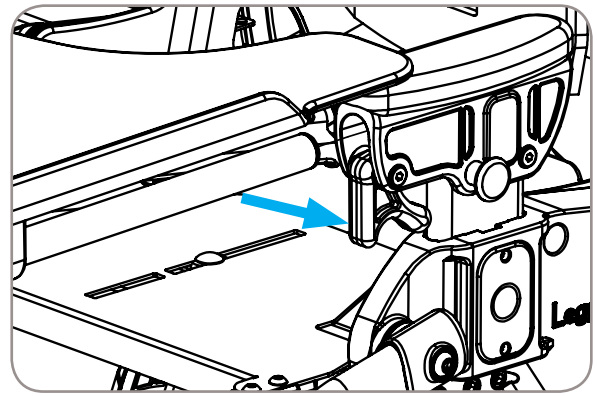


Figure 21

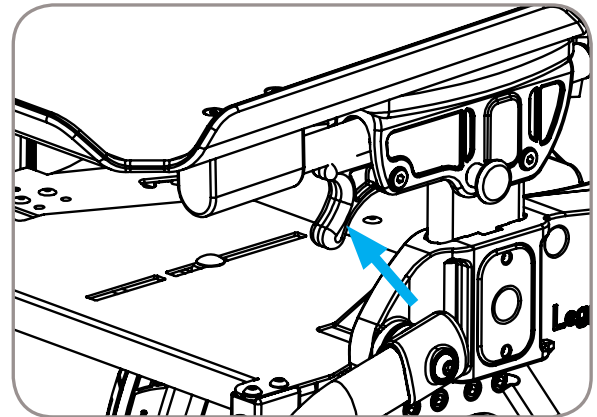


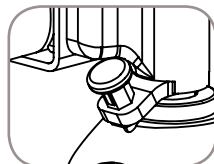
Figure 22

4.13 Caster Swivel Locks

1. Align each caster parallel to side of chair.
2. Pull plunger up and rotate 90°
3. Release plunger. Verify that swivel lock is engaged by applying light twisting force to caster fork.
4. To unlock, pull plunger up, rotate 90°, and release.



Unlocked



Locked

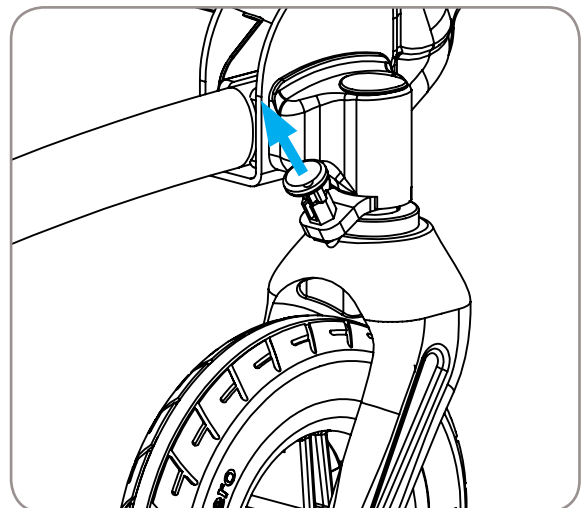


Figure 23

4.14 Seat Extension Installation

If your Trak chair was originally configured with a seat depth of 8 inches or less, you will need to install the seat depth extension and longer seat tubes supplied with the chair to increase the seat depth beyond 9 inches.

1. Remove seat cushion.
2. Remove seat depth adjustment knob and carriage bolt.
3. Remove front seat plate assembly.
4. Install seat extension **1** using 4 socket head bolts **2**. 5mm hex wrench required. Reference Figure 24.
5. Remove short seat tubes **3** from front seat assembly. 4mm hex wrench and 10mm wrench required. Reference Figure 25.
6. Install long seat tubes **4** with same hardware. Reference Figure 26.
7. Install front seat plate assembly and adjust to desired seat depth.
8. Install carriage bolt and tighten knob.
9. Install seat cushion and tighten straps.

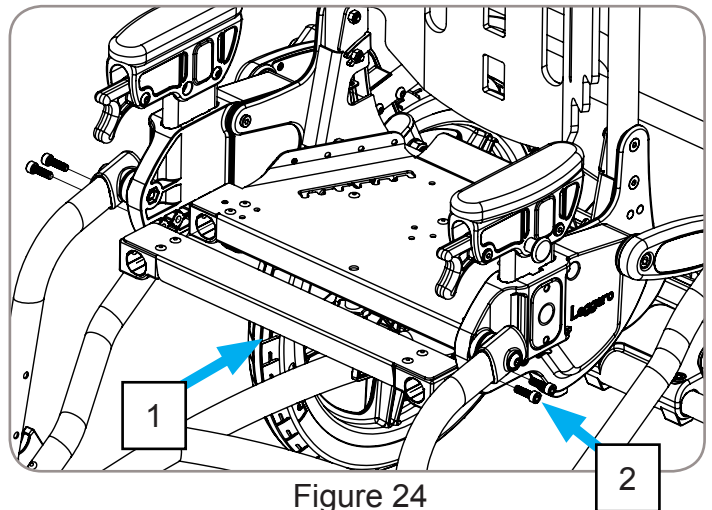


Figure 24

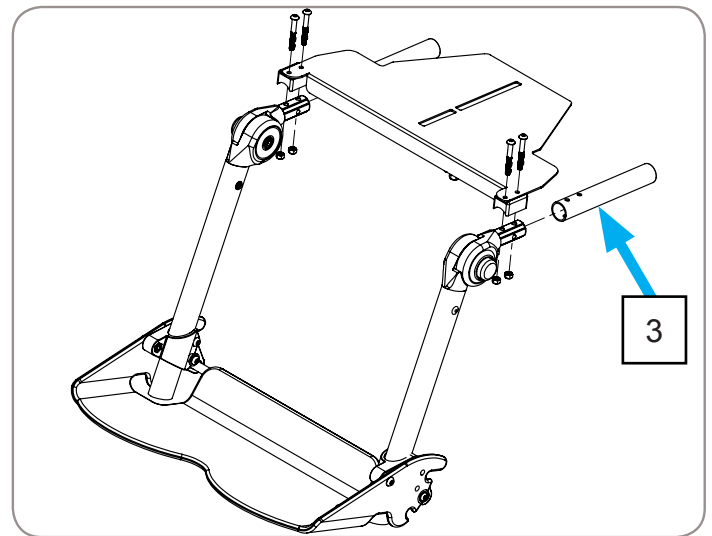


Figure 25

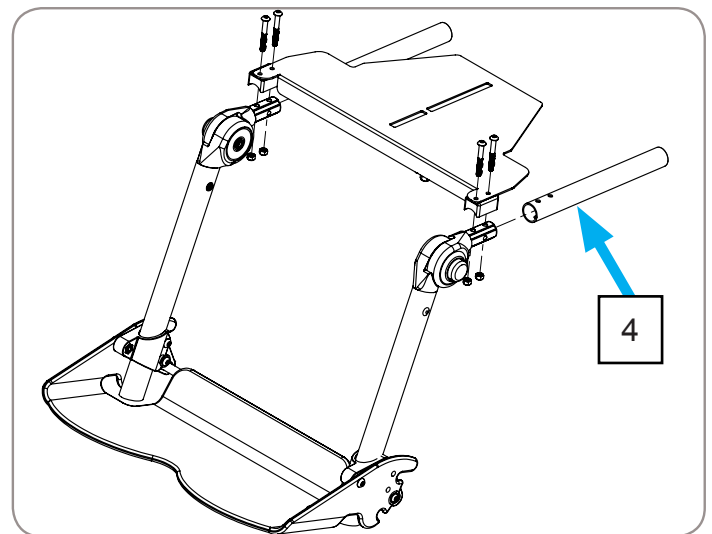


Figure 26

4.15 USING THE TRAK CHAIR AS A SEAT IN A MOTOR VEHICLE

The Trak Chair is approved for transporting children in motor vehicles when it is equipped with the OPTIONAL transit feature and used in accordance with these instructions. The chair must be secured in a forward-facing position with a Wheelchair Tie-down and Occupant Restraint System (WTORS) which meets the requirements of SAE J2249 Recommended Practice—Wheelchair Tie-down and Occupant Restraint Systems For Use in Motor Vehicles.

IMPORTANT INFORMATION:

This chair conforms to and has been dynamically tested in compliance with ANSI/RESNA WC/Vol. 1 – Section 19.5.3. Please contact Leggero or your authorized Leggero provider if you have any questions regarding use of the chair for seating in a motor vehicle. Contact information can be found on page 2 of this manual.

WARNINGS & INSTRUCTIONS:

- The Trak chair must be used as indicated in these instructions and the instructions supplied by the vehicle mounted tie-down manufacturer.
- Chair occupant should be transferred to the vehicle seat and use the vehicle restraint system whenever possible.
- The Trak Chair can accommodate up to 80 lb. Do not exceed this occupant weight.
- The Trak Chair must be placed in a forward-facing position when used as a seat in a motor vehicle. Use an approved 4-point strap-type tie-down system for the chair. Use an approved 3-point belt for occupants over 50lb/23kg. For occupants under 50lb/23kg, a 5-point transit harness is required.
- For approved transit tie-down locations and location of belt/harness attachment pin, see Figures 27 and 28.
- Restraints must not be held away from the child's body by chair components or accessories.
- Belt and harness straps should be adjusted until they are snug and do not have slack. If you can pinch the webbing of the harness or belt straps between your fingers, then the harness is too loose.
- Only belt restraints that comply with the provisions of ANSI/RESNA WC/Vol. 1 – Section 19 4.9.2-4.9.5 and 5.2 that have been dynamically tested in accordance with Annex A & 5.3 of the same, should be used on the chair for use as a restraint in a motor vehicle.

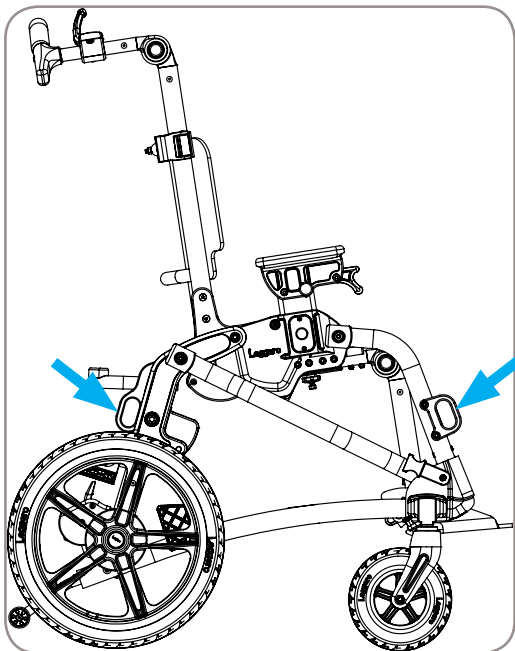


Figure 27

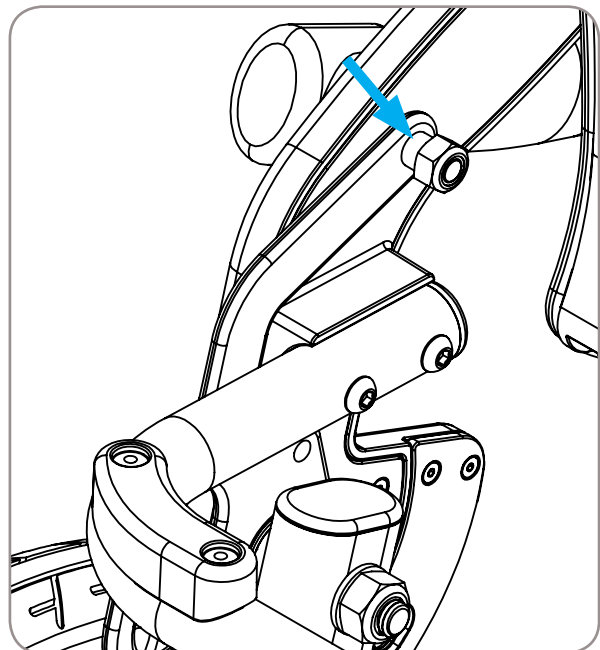


Figure 28

WARNING! If your chair is not equipped with the transit option, do not use it as a seat in a motor vehicle. Transfer the child from the chair to an approved motor vehicle seat.

4.16 Respond Seating

Respond Seat Cushion

1. Ischial inserts **1** are available in different foam types and densities.
2. The ischial ledge **2** is adjustable front to back.
3. Adduction/abduction wedges **3** are adjustable in width, angle, and position front to back.

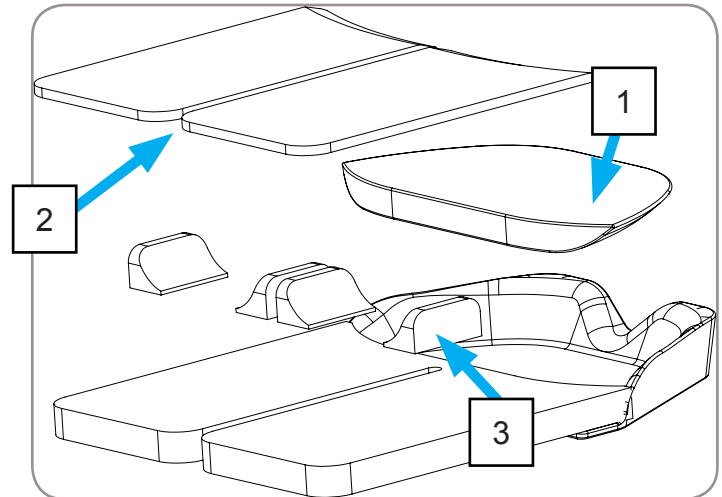


Figure 29

Respond Back Cushion

1. Respond back cushion features dual density back pad and shoulder pads.
2. Can be configured with optional components such as wedges or lumbar supports from the Extra Positioning Kit. Configure based on individual child's needs.

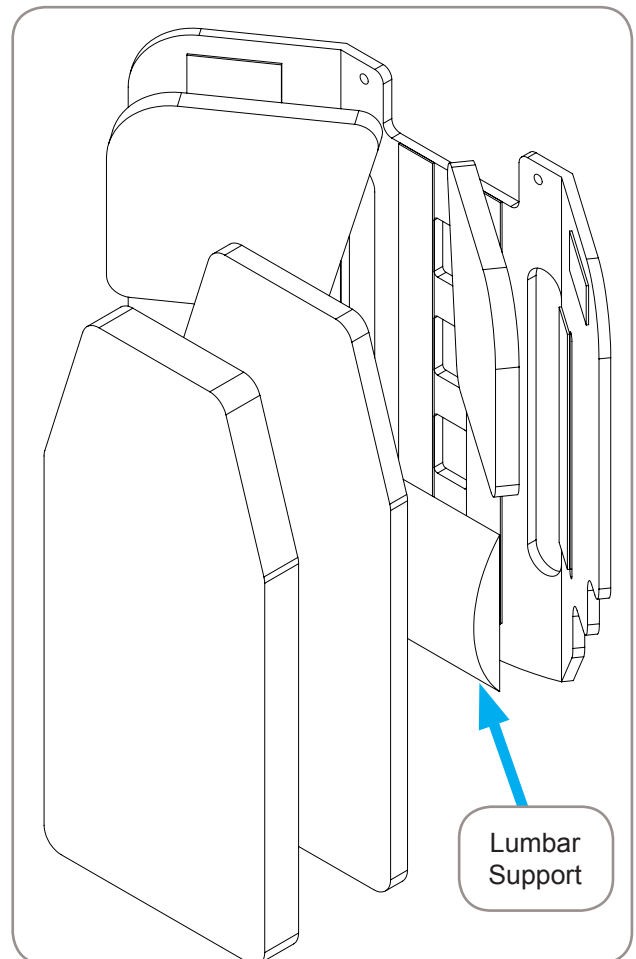


Figure 30

4.17 IV Pole Adjustment

1. Press and hold the button on the outside of the adjustment ratchet, reference Figure 32.
2. Adjust the IV Pole to desired angle.
3. Release button.

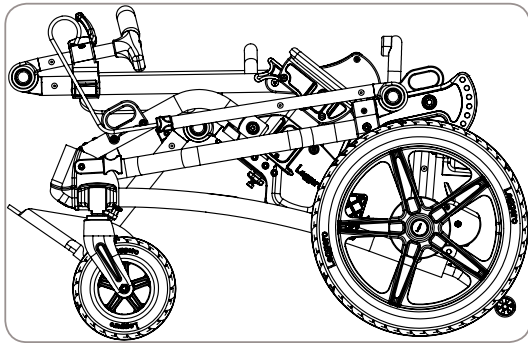


Figure 31

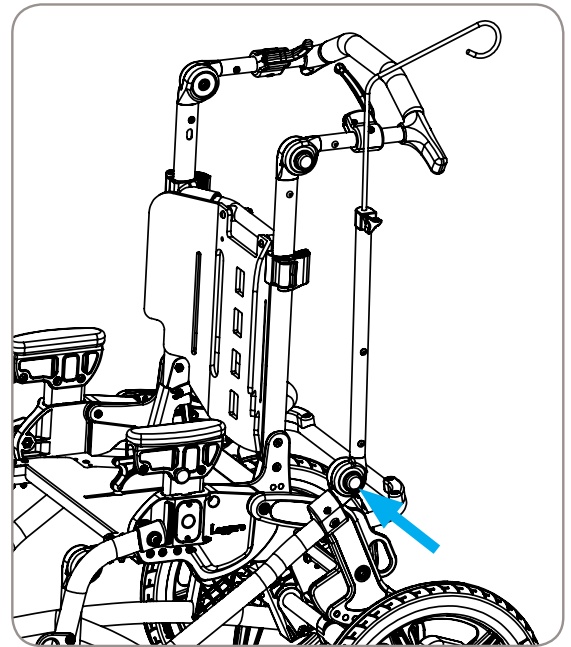


Figure 32

4.18 O2 Holder Installation and Removal

Installation

1. Align the slots on the O2 Holder to the bosses on the bracket. Reference Figure 33.
2. Push down on the O2 Holder.
3. Tighten handle **1** to secure. Reference Figure 34.
4. Insert O2 bottle in to the O2 Holder.
5. Tighten knob **2**. Reference Figure 34.

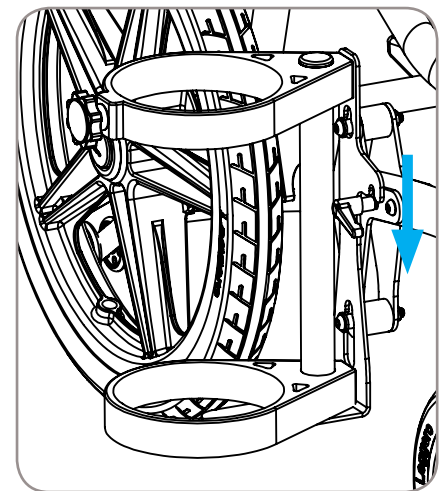


Figure 33

Removal

1. Loosen handle **1**.
2. Loosen knob **2**.
3. Remove O2 bottle.
4. Lift O2 Holder upward and out to remove.

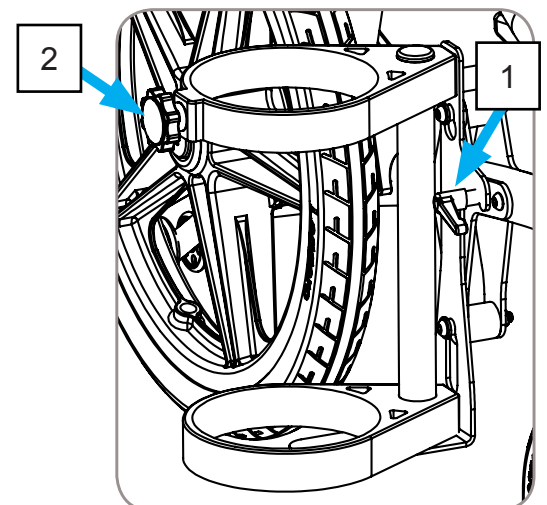


Figure 34

WARNING! O2 Holder must be removed from chair prior to transit use.



4.19 Equipment Tray

1. Adjust seat tilt angle to the most upright position.
2. Load and unload the tray from the sides. Reference Figure 35.

WARNING! All items must be removed from Equipment Tray prior to transit use.

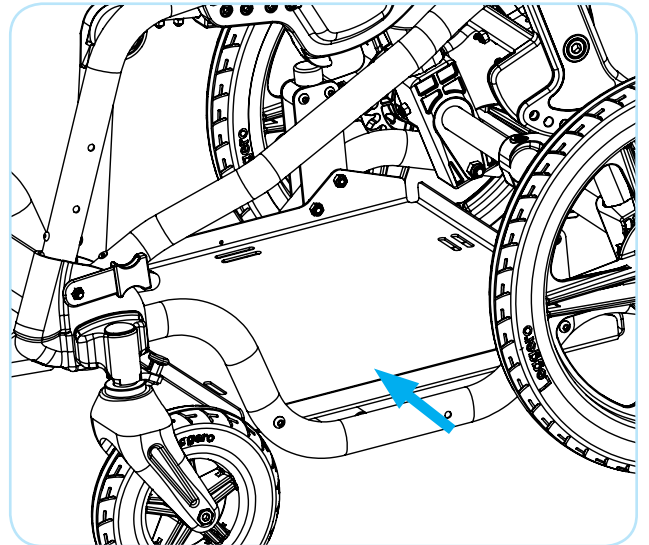


Figure 35

4.20 LTV Bracket for LTV-950

1. Adjust the handlebar upward for clearance.
2. Slide LTV950 downward into the dovetail bracket.

WARNING! Bracket is only designed for use with Pulmonetic LTV-950 Ventilator.

WARNING! LTV-950 Ventilator must be removed from LTV Bracket prior to transit use.

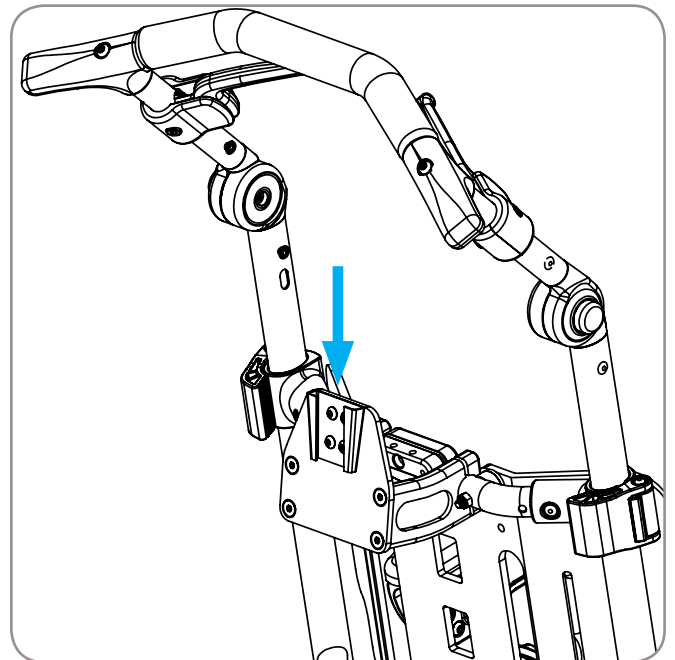


Figure 36

Section 5: Limited Warranty

A. THIS WARRANTY IS EXTENDED ONLY TO THE ORIGINAL PURCHASER OF OUR PRODUCTS.

B. FOR LIFETIME

Leggero LLC warrants the frame and quick-release axles of this chair against defects in materials and workmanship for the life of the original purchaser. The expected life of this frame is five years.

C. FOR ONE (1) YEAR

We warrant all original equipment parts and components of this chair against defects in materials and workmanship for one year from the date of the first consumer purchase.

D. LIMITATIONS

1. We do not warrant:

- Tires, tubes, upholstery, push handle grips, or armpads.
- Damage resulting from neglect, misuse, or from improper installation or repair.
- Damage resulting from transit use.
- Damage from exceeding the weight limit indicated on the serial number label.

2. This warranty is valid only when the product is used according to the specified conditions and the intended purposes, following all manufacturer recommendations. It is void otherwise.

3. This warranty shall not apply to problems arising from normal wear, and such evaluation will be solely determined by Leggero LLC.

4. This warranty is void if the product is modified without Leggero's express written consent including, but not limited to, modification through the use of unauthorized parts or attachments; products damaged by reason of repairs made to any component without specific consent of Leggero; or to a product damaged by circumstances beyond Leggero's control, and such evaluation will be solely determined by Leggero.

5. This warranty is void if the original serial number is removed or altered.

6. This warranty applies in the USA only. Check with your supplier if international warranties apply.

E. WHAT MANUFACTURER WILL DO

Our sole liability is to repair or replace covered parts. This is the exclusive remedy for consequential damages.

F. WHAT YOU MUST DO

1. Obtain from us, while this warranty is in effect, prior approval for return or repair of covered parts.
2. Return the product or part(s), freight pre-paid to Leggero LLC. Contact Leggero customer service at 1-844-503-KIDS for a return address and to obtain a return authorization number (RA#).
3. Pay the cost of labor to repair, remove or install parts.

G. NOTICE TO CONSUMER

1. If allowed by law, this warranty is in place of any other warranty, written or oral, express or implied, including a warranty of merchantability, or fitness for a particular purpose.
2. This warranty gives you certain legal rights. You may also have other rights that vary from state to state.



Section 6: Maintenance

Please consult your authorized provider if you have questions regarding maintenance of your Trak chair. Consistent and thorough maintenance will extend the useful life of your chair. Improper maintenance can significantly decrease the useful life of the chair. Any damaged parts should be replaced prior to resuming use of the chair. The chair should be cleaned regularly and should be serviced by an authorized dealer at least once per year.

Warranty might be affected if proper maintenance is not performed at the specified intervals. Please see table below for recommended maintenance procedures and frequency. There is a maintenance record on the following page of this manual that should be used to document maintenance activities.

Maintenance Activity	Weekly	Monthly
Check tire air pressure (if applicable)	✓	
Check wheels and tires for wear or damage		✓
Check wheel lock function and clean wheel lock rotors	✓	
Check for proper caster alignment		✓
Verify that all fasteners are tight		✓
Verify that quick release axles function properly	✓	
Check tilt lock mechanism for proper engagement	✓	
Check recline lock mechanism for proper engagement	✓	
Check all structural components for wear or damage		✓
Check all accessory components for damage		✓

We recommend that the chair be cleaned regularly:

- Clean all frame components and plastic parts using mild detergents only.
- Fabric parts may be washed. If using a washing machine, put them in a linen bag or pillow case. Air dry.
- In most cases, wiping with a damp cloth is sufficient.
- Do not use your chair in salt water as severe damage may result.
- Keep sand or other particles from damaging the wheel and caster fork bearings.





Leggero LLC
174 D Shepherd Trail
Bozeman, MT 59718
Toll Free: 1-844-503-KIDS
www.leggero.us